

R5646** -K

MALE RAST 5 CRIMP CONNECT CONNECTORS 6 WAYS



Description Male RAST 5 Crimp Connect Connectors

Thermal characteristics

Part Number	Raw Material	Flammability Class (UL 94)	Glow Wire Flammability Index (IEC60695-2-12)	RTI Electrical (Max. Operating Temp.)	GWT Glow Wire Test 750°C NF
R56461*	PA66	V2	850°C	105°C	-
R56463*	PA66	V0	960°C	140°C	-
R56464*	PA NF	V2	960°C	130°C	YES
R56466*	PA NF	V0	960°C	130°C	YES
R56467*	PP NF	V2	(T.B.D.)	(T.B.D.)	(T.B.D.)

*Colour

Key Codification See drawing & web table

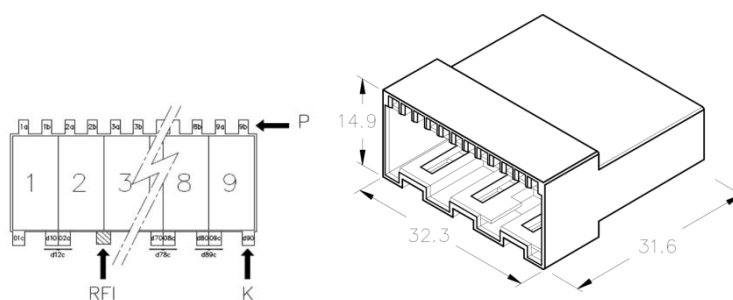
Compatibility (Terminals supported)

Wire size (mm ²)	PN. With dimple	PN. Without dimple
0.20 – 0.60	6425.**	6423.**
0.50 – 1.00	6426.**/6427.**	6421.**/6424.**
1.00 – 2.50	6434.**	6432.**

Mechanical properties (Terminal-connector for way)

1 st . Insertion	10 N Max.
1 st . Withdrawal (Destruction)	70 N Min.

Drawing



P = Positioning
 P = Posicionamiento
 K = Keying
 K = Codificacion
 RFI = Internal locking device
 RFI = Bloqueo interno

Note: (T.B.D.) to be determined

Disclaimer

Data obtained from Escubedo Laboratory essays, using own methodology, cablings, equipment and original crimping tools, done in laboratory conditions and following the indicated standards, errors and omissions excepted. This document has no contractual meaning and it is publicised only for informative purposes. It can be changed without prior notice. The end customer has the sole responsibility to check these characteristics in its environment and with its own components, manufacturing methods and equipment. See also the full range product overview if available. For further information please visit our web site or contact us.

Rev. Nr.	Concept	Date	Created/Revised	Approved
1	Creation	17/10/2016	D.Martinez / E.Roura	X.Menac