

6438.xx

6.3 MM (.250) UP-STA TERMINALS - MALES FOR CONNECTOR

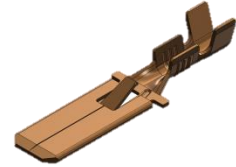


Description Males 6.3*0.8 for connector (Without dimple hole)

Wire section range 2.50 ÷ 6.00 mm² (14 ÷ 10 AWG)

Max. Insulator Ø 5.1 mm

Dimensional standard DIN 46343



Materials, Temperature & Contact resistance



Part nr.	Material	Finishing	Max. Temp. (C°)	UL regulation / File
6438.00	Brass	Natural	110	UL310 / E211727
6438.01	Brass	Pre-tin plated	120	UL310 / E211727
6438.02	Brass	Tin plated	120	-
6438.30	Bronze	Natural	120	-
6438.31	Bronze	Pre-tin plated	130	-
6438.32	Bronze	Tin plated	130	-

Material thickness 0.4 mm

Application tool MN6438

Wire striping length 5.4(±0.5) mm

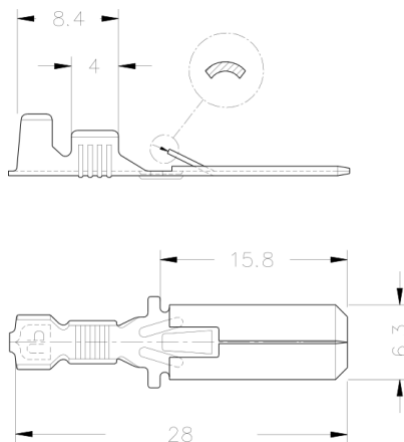
Crimping parameters & Pull out force

Wire section mm ²	Conductor (mm) 		Insulator (mm) 		Pull-out force (N)
	Height (±0.05)	Width (measured)	Height (measured)	Width (measured)	
2.50	2.05	4.01	4.30	5.31	> 260
4.00	2.25	4.03	4.60	5.40	> 360
6.00	2.40	4.05	4.80	5.43	> 400

Note: Values only valid for the application tool specified. The insulator width is only indicative as they depend of the insulation properties

Packaging 3500 Pieces on 300 mm Ø x 160 mm wide cardboard reel, 30 mm terminal chain pitch

Drawing



6438.xx

6.3 MM (.250) UP-STA TERMINALS - MALES FOR CONNECTOR





Connectors Compatibility

Part number	Colour	Way Nr.	Raw material
2634110	Natural	1	PA
2634210	Natural	2	PA
2637710	Natural	2	PA
2637715	Black	2	PA
2637210	Natural	2	PA
2637610	Natural	2	PA
2634310	Natural	3	PA
2634410	Natural	4	PA
2634610	Natural	6	PA
2639628	Grey	6	ABS
2634810	Natural	8	PA
2637910	Natural	11	PA
2638310	Natural	8	PA
2638210	Natural	6	PA

Note: For others materials and colours ask: info@escubedo.com

Approvals

RoHS Compliant	
UL regulation	

Disclaimer

Data obtained from Escubedo Laboratory essays, using own methodology, cablings, equipment and original crimping tools, done in laboratory conditions and following the indicated standards, errors and omissions excepted. This document has no contractual meaning and it is publicised only for informative purposes. It can be changed without prior notice. The end customer has the sole responsibility to check these characteristics in its environment and with its own components, manufacturing methods and equipment. See also the full range product overview if available. For further information please visit our web site or contact us.

Rev. Nr.	Concept	Date	Created/Revised	Approved
4	Update Crimping parameters	08/05/2017	D.Martinez/E.Roura	X.Menac
3	Update	10/11/2016	D.Martinez/E.Roura	X.Menac
2	Standard max. Temp. change	25/03/2011	D.Martinez	Joan Carles Sanchez