

6423.xx

6.3 MM (.250) UP-STA TERMINALS - MALES FOR CONNECTOR

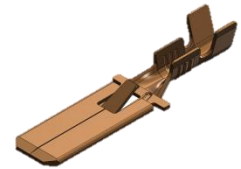


Description Males 6.3*0.8 for connector (Without dimple hole)

Wire section range 0.20 ÷ 0.60 mm² (24 ÷ 20 AWG)

Max. Insulator Ø 2.1 mm

Dimensional standard DIN 46343



Materials, Temperature & Contact resistance


Part nr.	Material	Finishing	Max. Temp. (C°)
6423.00	Brass	Natural	110
6423.01	Brass	Pre-tin plated	120
6423.03	Brass	Silver plated	130
6423.30	Bronze	Natural	120
6423.31	Bronze	Pre-tin plated	130

Material thickness 0.4 mm

Application tool MN6423

Wire striping length 5.4 (±0.5) mm

Crimping parameters & Pull out force

Wire section mm ²	Conductor (mm) 		Insulator (mm)	Pull-out force (N)
	Height (±0.05)	Width (measured)	Width (measured)	
0.20	1.10	2.04	3.06	> 40
0.35	1.15	2.05	3.07	> 60
0.50	1.20	2.05	3.08	> 100
0.60	1.25	2.07	3.10	> 140

Note: Values only valid for the application tool specified. The insulator width is only indicative as they depend of the insulation properties

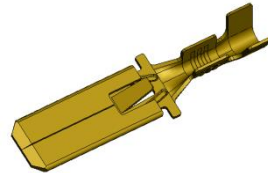
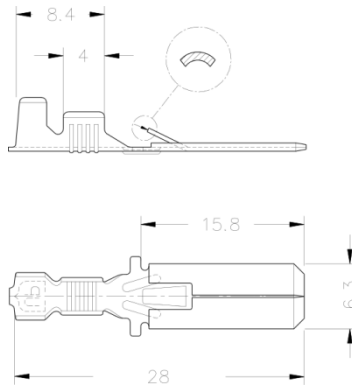
Packaging 6000 Pieces on 300 mm Ø x 160 mm wide cardboard reel, 30 mm terminal chain pitch

6423.xx

6.3 MM (.250) UP-STA TERMINALS - MALES FOR CONNECTOR



Drawing



Approvals

- RoHS Compliant



Connectors Compatibility

Part number	Colour	Way Nr.	Raw material
2634110	Natural	1	PA66V2
2634210	Natural	2	PA66V2
2637710	Natural	2	PA66V2
2637715	Black	2	PA66V2
2637210	Natural	2	PA66V2
2637610	Natural	2	PA66V2
2634310	Natural	3	PA66V2
2634410	Natural	4	PA66V2
2634610	Natural	6	PA66V2
2639628	Grey	6	ABS
2634810	Natural	8	PA66V2
2637910	Natural	11	PA66V2
2638310	Natural	8	PA66V2
2638210	Natural	6	PA66V2

Note: For others materials and colours ask: info@escubedo.com

Disclaimer

Data obtained from Escubedo Laboratory essays, using own methodology, cablings, equipment and original crimping tools, done in laboratory conditions and following the indicated standards, errors and omissions excepted. This document has no contractual meaning and it is publicised only for informative purposes. It can be changed without prior notice. The end customer has the sole responsibility to check these characteristics in its environment and with its own components, manufacturing methods and equipment. See also the full range product overview if available. For further information please visit our web site or contact us.

Rev. Nr.	Concept	Date	Created/Revised	Approved
3	Update sheet format	10/11/2016	D.Martinez/E.Roura	X.Menac
2	Crimp data update	17/06/2011	D.Martinez	Adam Calvet