

4328.**



6.3 MM (.250) UP-STA TERMINALS



Description Receptacles for connector for tab 6.3*0.8 (With dimple)

Wire section range 1.00 – 2.50 mm² (AWG 18 - 14)

Max. Insulator Ø 4.3 mm

Materials, Temperature & Contact resistance

Part nr.	Material	Finishing	Max. temp. (C°)	Resist. (mΩ)
4328.00	Brass	Natural	110	0,60
4328.02	Brass	Tin Plated	120	(T.B.D.)

Note: Maximal contact resistance: only contact zone

Material thickness 0.32 mm

Max. Rated current

Maximum Current values.

Values of the table show the recommended maximum current values, limited by the cross section of the cable used.

These maximum values also depend on the ambient temperature, and can be reduced depending on the working conditions.

For more precise information about the maximum rating current applicable in each case, consult the "Temperature Rise" and "Derating" curves.

Wire section (mm ²)	Current (A)
1.00	12
1.50	16
2.50	20

Insertion/Withdrawal forces

1 st . Insertion	30 N Max
1 st . Withdrawal	60 N Max
6 th . Withdrawal	10 N Min

Application tool MN4328

Wire striping length 5.0 (±0.5) mm

Crimping parameters & Pull out force

Wire section (mm ² ±10%)		Conductor (mm)		Insulator (mm)		Pull-out force (N)
Nominal	Actual	Height (±0,05)	Width (measured)	Height (measured)	Width (measured)	ESCUBEDO
1.00	0.93	1.50	2.66	3.40	4.18	> 170
1.50	1.35	1.65	2.70	3.70	4.17	> 210
2.00	2.00	1.75	2.71	3.80	4.18	> 220
2.50	2.35	1.90	2.72	3.90	4.20	> 260

Note: Values only valid for the application tool specified upwards. The insulator widths are only indicative as they are dependent on the sheath thickness of the wire used.

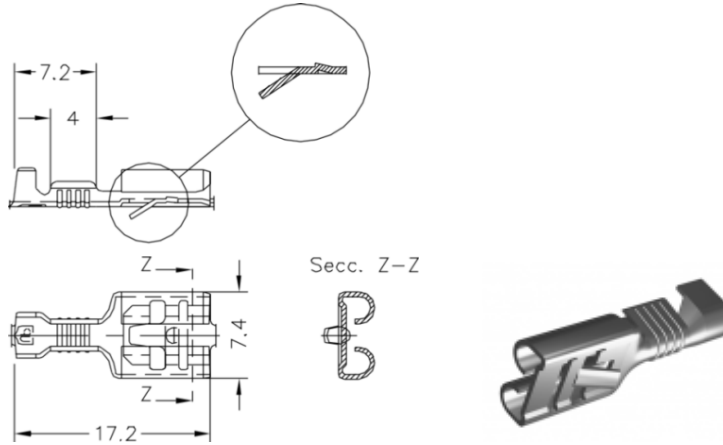
Packaging 8000 Pieces on 300 mm. Ø x 160 mm. wide cardboard reel, 18.75 mm terminal chain pitch

4328.**



6.3 MM (.250) UP-STA TERMINALS

Drawing



Approvals

- RoHS Compliant



Connector Compatibility

Part number	Color	Way	PA66V2	PA66V0	ABS	No Flame	
2635110	Natural	1	x				
2635210		2	x				
2635310		3	x				
2635410		4	x				
2635610		6	x				
2635810		8	x				
2637410		2	x				
2637810		2					
2637510		2	x				
2638610		6	x				
2639728	Grey	6 (3x2)			x		
2639010	Natural	5x2	x				
2638010		11	x				
2638710		12	x				
2635540		4					x
2635710				x			
2635730		12			x		
2635740							x

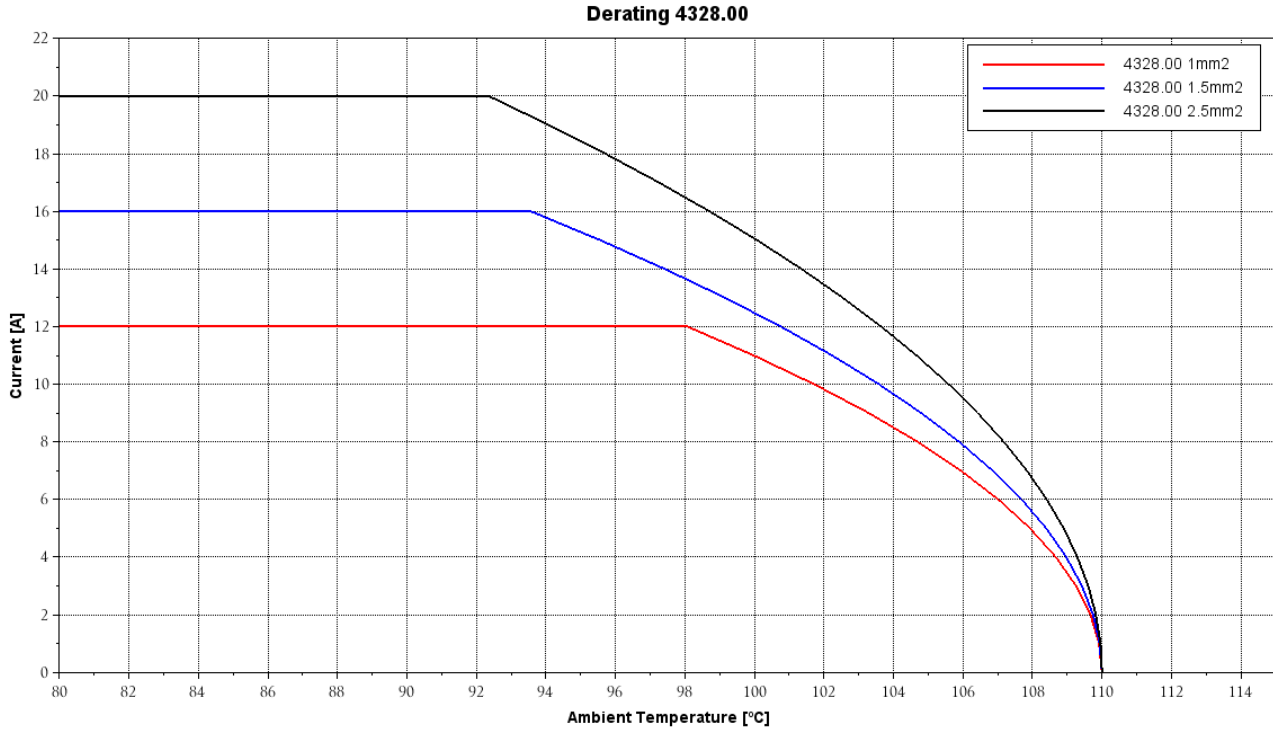
Note: For others materials and colours consult: info@escubedo.com

Note. T.B.D. To be determined

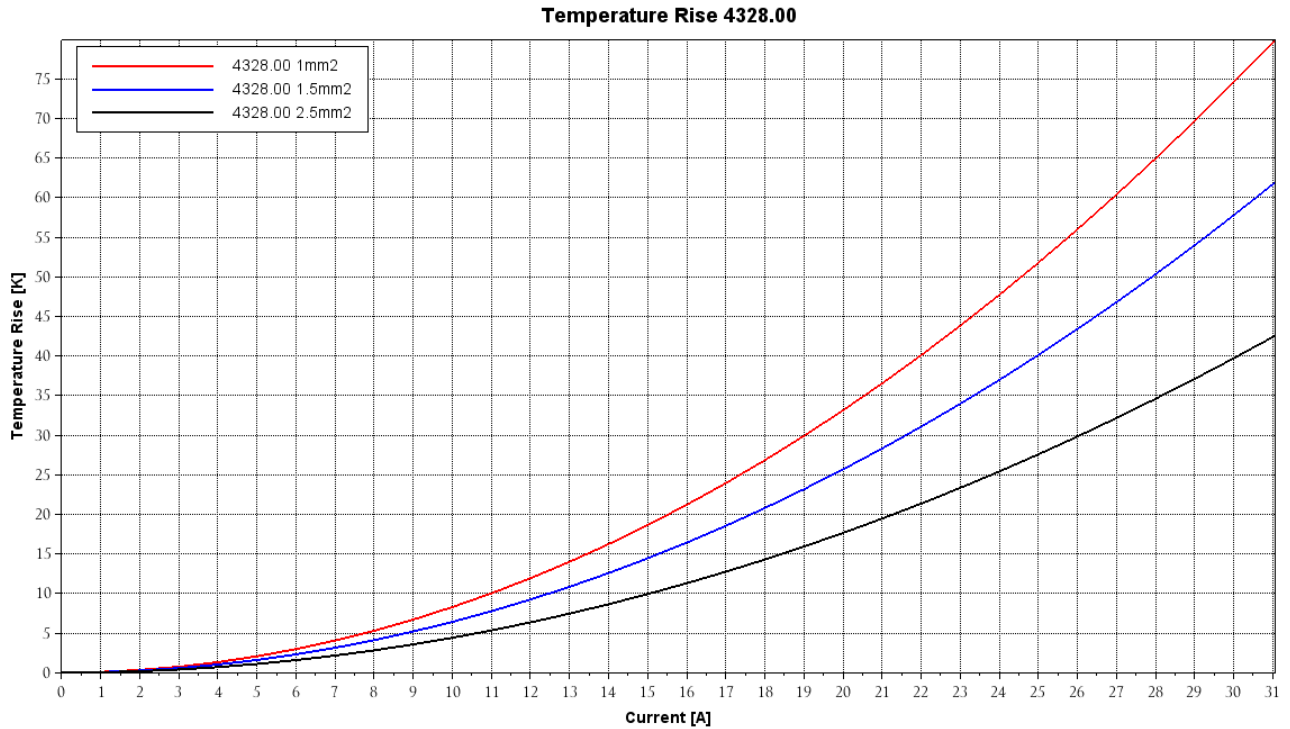
4328.00 NATURAL BRASS
6.3 MM (.250) UP-STA TERMINALS



Derating Curve. Current carrying capacity vs. Ambient Temperature



Temperature Rise Curve. Terminal Temperature rise due to the current carried



Curves show terminal behavior in a first connection, working in open air (without connector). Security margin has been applied.

Disclaimer

Data obtained from Escubedo Laboratory essays, using own methodology, cablings, equipment and original crimping tools, done in laboratory conditions and following the indicated standards, errors and omissions excepted. This document has no contractual meaning and it is publicised only for informative purposes. It can be changed without prior notice. The end customer has the sole responsibility to check these characteristics in its environment and with its own components, manufacturing methods and equipment. See also the full range product overview if available. For further information please visit our web site or contact us.

Rev. Nr.	Modification	Date	Created/Revised	Approved
1	Creation/Update	02/06/2015	D.Martinez / E.Roura	JC Sanchez