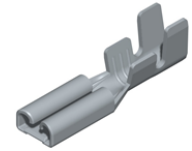


## 4105E\*\*



### 2.8 MM (.110) UP-STA RECEPTACLES FOR CONNECTOR FOR TAB 2.8X0.5



**Description** Standard receptacles for connector for 2.8x0.5 Tabs. Side feed receptacles

**Dimensional Standard** DIN 46340

**Wire section range** 0.75– 1.50 mm<sup>2</sup> (AWG 18 - 16)

**Max. Insulator Ø** 3.2 mm.

**Materials, Temperature & Contact resistance**

Part nr.	Material	Finishing	Max. temp. (C°)
4105E00	Brass	Natural	110
4105E01	Brass	Pre-tin plated	120
4105E30	Bronze	Natural	120
4105E31	Bronze	Pre-tin plated	130

**Notes:** Temperatures as per IEC 61210 standard.

**Material thickness** 0,3 mm

**Max. Rated current**

**Maximum Current values.**

Values of the table show the recommended maximum current values, limited by the cross section of the cable used. These maximum values also depend on the ambient temperature, and can be reduced depending on the working conditions. For more precise information about the maximum rating current applicable in each case, consult the "Temperature Rise" and "De-rating" curves.

Wire section (mm <sup>2</sup> )	Current (A)
0.75	8
1.00	8
1.50	8

**Insertion/Withdrawal forces**

	Natural
1st. Insertion	25 N Max.
1st. Withdrawal	30 N Max.
10th. Withdrawal	5 N Min.

**Application tool** MN4105E

**Wire striping length** 3.8 (±0.5) mm

**Crimping parameters & Pull out force**

Wire section (mm <sup>2</sup> ±10%)		Conductor (±0,05)		Insulator (±0,15)	Pull-out force (N)	
Nominal	Actual	Height (mm.)	Width (mm.)	Width (mm.)	DIN64249	ESCUBEDO
0.75	0.71	1.40	2.08	3.1	≥ 70	>80
1.00	0.95	1.50	2.11	3.1	≥ 80	>90
1.50	1.35	1.60	2.13	3.1	≥ 120	>130

**Note:** Values only valid for the application tool specified upwards. The insulator widths are only indicative as they are dependent on the sheath thickness of the wire used.

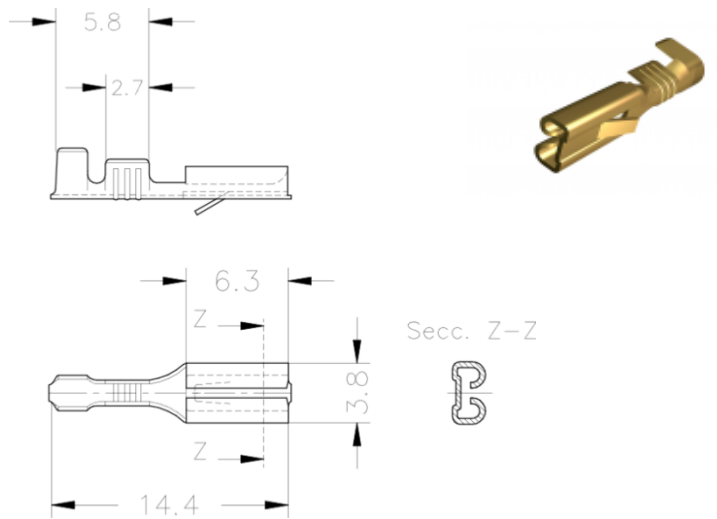
**Packaging** 8000 Pieces on 20 mm. cardboard reel, 10 mm terminal chain pitch

**4105E\*\***



**2.8 MM (.110) UP-STA RECEPTACLES FOR CONNECTOR FOR TAB 2.8X0.5**

**Drawing**



**Approvals**

- RoHS Compliant



**Connectors Compatibility**

Part Number	Color	Way	Nylon	Nylon V0	PA66 NF
2285010	Natural	1	X		
2285030	Natural			X	
2285040	Natural				X
2285210	Natural	2	X		
2284310	Natural	3	X		
2284330	Natural			X	
2284340	Natural				X
2287310	Natural	5	X		

**Note:** For others materials and colours consult the specific datasheet

**Disclaimer**

Data obtained from Escubedo Laboratory essays, using own methodology, cablings, equipment and original crimping tools, done in laboratory conditions and following the indicated standards, errors and omissions excepted. This document has no contractual meaning and it is publicised only for informative purposes. It can be changed without prior notice. The end customer has the sole responsibility to check these characteristics in its environment and with its own components, manufacturing methods and equipment. See also the full range product overview if available. For further information please visit our web site or contact us.

Rev. Nr.	Modification	Date	Created/Revised	Approved
1	Creation	02/04/2015	D.Martinez / E.Roura	JC Sanchez