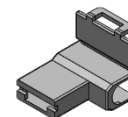


# 26432\*\*

## 6,3 (.250) UP-STA FLAG SERIES - RECEPTACLE HOUSINGS



**Description** Flag receptacle housing for Double crimping



**Thermal characteristics**

Part Number	Raw Material	Flammability Class (UL 94)	Glow Wire Flammability Index (IEC60695-2-12)	RTI Electrical (Max. Operating Temp.)
264321*	PA66	V2	850°C	130°C
264323*	PA66/6	V0	960°C	140°C
264324*	PANF	NF	960°C	65°C

\* Colour

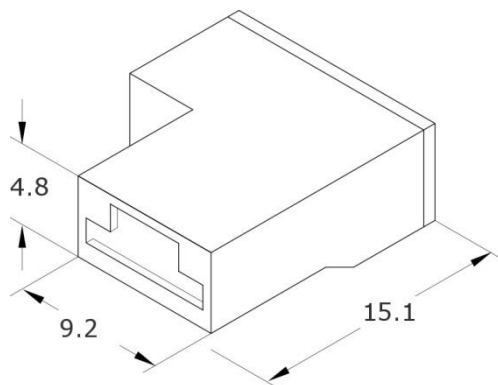
**Compatibility**  
(Terminals supported)

Wire size (mm <sup>2</sup> )	O crimping	B crimping
0.5 – 1.5	5424.**	5429.**
1.0 – 2.5	5426.**	5430.**

**Mechanical properties**  
(Terminal-connector for way)

1 <sup>st</sup> . Insertion	(T.B.D)
1 <sup>st</sup> . Withdrawal primary lock	(T.B.D)
1 <sup>st</sup> . Withdrawal primary+secondary lock	(T.B.D)

**Drawing**



**Note:** (T.B.D) To be determined

**Disclaimer**

Data obtained from Escubedo Laboratory essays, using own methodology, cablings, equipment and original crimping tools, done in laboratory conditions and following the indicated standards, errors and omissions excepted. This document has no contractual meaning and it is publicized only for informative purposes. It can be changed without prior notice. The end customer has the sole responsibility to check these characteristics in its environment and with its own components, manufacturing methods and equipment. See also the full range product overview if available. For further information please visit our web site or contact us.

Rev. Nr.	Concept	Date	Created/Revised	Approved
1	Creation	27/11/2015	D.Martinez/E.Roura	Joan Carles Sanchez