

26311**

6.3 MM (.250) UP-STA SERIES 1 WAY - RECEPTACLE HOUSINGS



Description Receptacle housing for standard 6.3x0.8 terminals - Side opening

Thermal characteristics

Part Number	Raw Material	Flammability Class (UL 94)	Glow Wire Flammability Index (IEC60695-2-12)	RTI Electrical (Max. Operating Temp.)	Glow Wire Test (IEC60695-2-11)	UL Approvals / File
263111*	PA	V2	960°C	105°C @ 0.38mm	550 °C	UL310 / E245592

* Colour

Compatibility (Terminals supported)

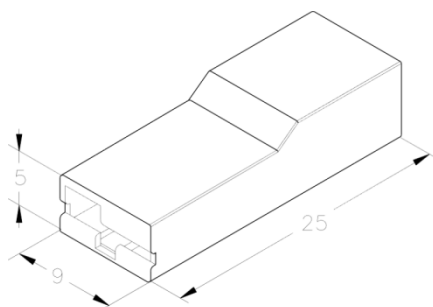
Wire size [mm ²]	Receptacle p.n. (Type 6.3 STA)	Receptacle p.n. (Type 6.3 TBI)
0.2 – 0.6	4420F** / 4541.**	-
0.5 – 1.0	4420.** / 4424.** / 4520.** / 4521.** / 4540.** / 4548.**	4820.** / 4840.**
0.5 – 1.5	4646.**	-
1.0 – 2.5	4422.** / 4542.** / 4648.**	4822.** / 4842.**
2.0 – 5.0	4544.**	-
2.5 – 6.0	4425.**	4824.** / 4844.**

Note: ()** Receptacle material and finishing

Mechanical properties (Terminal-connector for way)

Part number	263161*
Insertion	25 N Max.
Withdrawal (lock only)	110 N Min.

Drawing



Approvals

UL310 / E245592	
-----------------	-------------------------------------------------------------------------------------

Disclaimer

Data obtained from Escubedo Laboratory essays, using own methodology, cablings, equipment and original crimping tools, done in laboratory conditions and following the indicated standards, errors and omissions excepted. This document has no contractual meaning and it is publicized only for informative purposes. It can be changed without prior notice. The end customer has the sole responsibility to check these characteristics in its environment and with its own components, manufacturing methods and equipment. See also the full range product overview if available. For further information please visit our web site or contact us.

Rev. Nr.	Concept	Date	Created/Revised	Approved
1	Creation	07/07/2017	D.Martinez / E.Roura	X.Menac