

24811**

4,8 (.187) TYPE SERIES RECEPTACLES HOUSING UP-SEK



Description Housing UP-SEK serie receptacles - Connector disconnection



Thermal characteristics

Part Number	Raw Material	Flammability Class (UL 94)	Glow Wire Flammability Index (IEC60695-2-12)	RTI Electrical (Max. Operating Temp.)
248111*	PA66	V2	850°C	65°C
248113*	PA66/6	V0	960°C	140°C
248114*	PANF	NF	960°C	65°C

* Colour

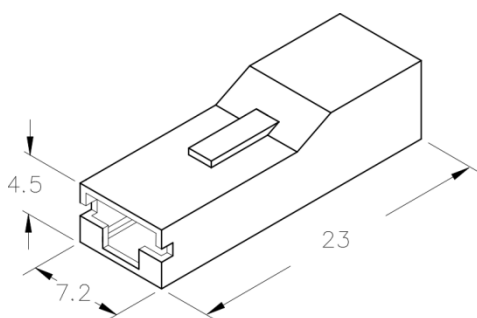
Compatibility
(Terminals supported)

Wire size (mm ²)	PN. For tab 4.8*0.5	PN. For tab 4.8*0.8
0.5 – 1.0	4712.**	4714.**
1.0 – 2.5	4716.**	4718.**

Mechanical properties
(Terminal-connector for way)

1 st . Insertion	15 N Max.
1 st . Withdrawal	60 N Min.

Drawing



Disclaimer

Data obtained from Escubedo Laboratory essays, using own methodology, cablings, equipment and original crimping tools, done in laboratory conditions and following the indicated standards, errors and omissions excepted. This document has no contractual meaning and it is publicized only for informative purposes. It can be changed without prior notice. The end customer has the sole responsibility to check these characteristics in its environment and with its own components, manufacturing methods and equipment. See also the full range product overview if available. For further information please visit our web site or contact us.

Rev. Nr.	Concept	Date	Created/Revised	Approved
2	Fotmat sheet update	27/11/2015	D.Martinez/E.Roura	Joan Carles Sanchez
1	Creation	10/03/2006	Marc Garangou	Joan Carles Sanchez