

22843**

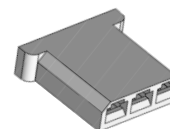


2,8 (.110) UP-STA 3 WAYS RECEPTACLES FOR CONNECTOR

Description Connector 3 ways for 2.8 series terminals for connector

Thermal characteristics

Concept / PN.	228431*	228433*	228434*
Raw material	PA66	PA66/6	PANF
Flammability class ¹	V2	V0	NF
Glow Wire Flammability	850°C	960°C	960°C
RTI Electrical ³	65°C	140°C	130°C



¹ Flammability class UL 94
² IEC 60695-2-12
³ Max Operating Temp
 *Colour

Compatibility
(Terminals supported)

Wire size (mm ²)	PN. For tab 2,8*0,3	PN. For tab 2,8*0,5	PN. For tab 2,8*0,8
0,1 – 0,3	4300.**	4302.**	4304.**
0,3 – 0,6	-	4105.**	4106.**
0,5 – 1,0	4306.**	4308.** / 4107.**	4310.** / 4108.**
0,75 – 1,5	-	4105E**	4108E**

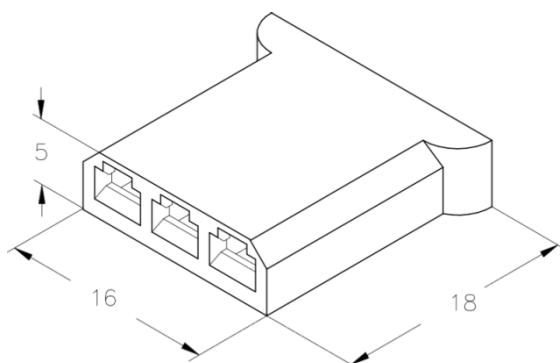
43** End feed
 41** Side feed

Mechanical properties
(Terminal-connector for way)

1 st . Insertion	10 N Max.
1 st . Withdrawal	80 N Min.

Note: Provisional values

Drawing



Approvals



Note: (T.B.D) To be determined

Disclaimer

Data obtained from Escubedo Laboratory essays, using own methodology, cablings, equipment and original crimping tools, done in laboratory conditions and following the indicated standards, errors and omissions excepted. This document has no contractual meaning and it is publicized only for informative purposes. It can be changed without prior notice. The end customer has the sole responsibility to check these characteristics in its environment and with its own components, manufacturing methods and equipment. See also the full range product overview if available. For further information please visit our web site or contact us.

Rev. Nr.	Concept	Date	Created/Revised	Approved
2	Update datasheet	26/08/2015	D.Martinez / E.Roura	D.Martinez
1	Creation	18/04/2006	Marc Garangou	J.C.Sanchez