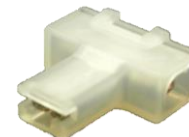


## 22833\*\*

### 2.8 (.110) UP-TP FLAG RECEPTACLE HOUSING



**Description** Flag receptacle housing for 2.8 TP flag terminals



#### Thermal characteristics

Concept / PN.	228331*	228333*	228334*
Raw material	PA66	PA68	PA
Flammability class <sup>1</sup>	V2	V0	NF
Glow Wire Flammability Index <sup>2</sup>	850°C	960°C	960°C
RTI Electrical <sup>3</sup>	65°C	140 °C	65 °C

<sup>1</sup> Flammability class UL 94

<sup>2</sup> IEC 60695-2-12

<sup>3</sup> Max Operating Temp

\* Colour

#### Compatibility (Terminals supported)

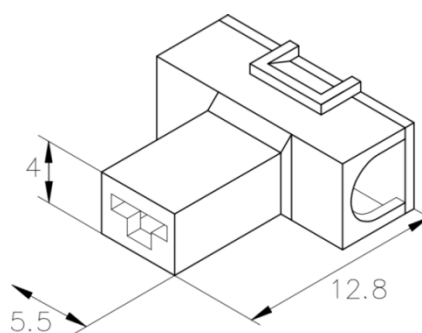
Wire size [mm <sup>2</sup> ]	For Tab 2.8*0.5	For Tab 2.8*0.8
0.1-0.3	5402.** / 5402D**	5404.** / 5404D**
0.5-1.0	5408.** / 5408D**	5410.** / 5410D**

\*\* Material - Finish

#### Mechanical properties (Terminal-connector)

1 <sup>st</sup> Insertion	10 N Max.
1 <sup>st</sup> Withdrawal primary lock <sup>1</sup>	6 N Min.
1 <sup>st</sup> Withdrawal secondary lock <sup>2</sup>	30 N Min.

#### Drawing



#### Approvals



<sup>1</sup> With terminal

<sup>2</sup> Without terminals

#### Disclaimer

Data obtained from Escubedo Laboratory essays, using own methodology, cablings, equipment and original crimping tools, done in laboratory conditions and following the indicated standards, errors and omissions excepted. This document has no contractual meaning and it is publicized only for informative purposes. It can be changed without prior notice. The end customer has the sole responsibility to check these characteristics in its environment and with its own components, manufacturing methods and equipment. See also the full range product overview if available. For further information please visit our web site or contact us.

Rev. Nr.	Concept	Date	Created/Revised	Approved
3	Update datasheet	19/10/2015	D.Martinez / E.Roura	J.C.Sanchez
2	Update	23/05/2014	D.Martinez	J.C.Sanchez