

22810**

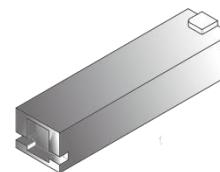
2,8 (.110) UP-STA 1 WAY RECEPTACLES HOUSING

Description Standard Housing 1 ways for 2.8 series terminals

Thermal characteristics

Concept / PN.	228101*	228103*	228104*
Raw material	PA66	PA68	PANF
Flammability class ¹	V2	V0	NF
Glow Wire Flammability	850°C	960°C	960°C
RTI Electrical ³	75°C	140°C	65°C

¹ Flammability class UL 94
² IEC 60695-2-12
³ Max Operating Temp
 * Colour



Compatibility (Terminals supported)

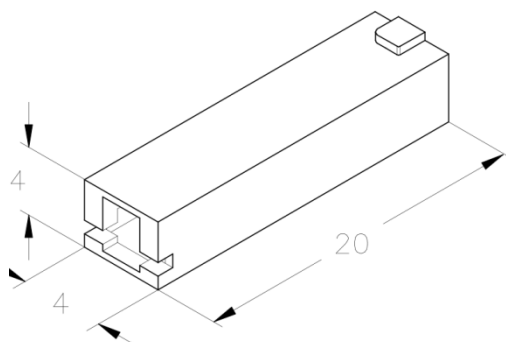
Wire size ^A	PN. For tab 2,8*0,3 ^B	PN. For tab 2,8*0,5 ^B	PN. For tab 2,8*0,8 ^B
0,1 – 0,3	4400.**/4400D**/4800.**	4402.**/4402D**/4503.**/4802.**	4404.**/4404D**/4511.**/4804.**
0,3 – 0,6	-	4605.**/4605D**	4606.**/4606D**
0,5 – 1,0	4406.**/4406D**/4806.**	4408.**/4607.**/4408D**/4607D**/4508.**/4808.**	4410.**/4608.**/4410D**/4608D**/4509.**

Notes:
 44**/45**/48** End feed
 46** Side feed
^A [mm²]
^B [mm]

Mechanical properties (Terminal-connector for way)

1 st . Insertion	10 N Max.
1 st . Withdrawal	35 N Min.

Drawing



Approvals



Disclaimer

Data obtained from Escubedo Laboratory essays, using own methodology, cablings, equipment and original crimping tools, done in laboratory conditions and following the indicated standards, errors and omissions excepted. This document has no contractual meaning and it is publicized only for informative purposes. It can be changed without prior notice. The end customer has the sole responsibility to check these characteristics in its environment and with its own components, manufacturing methods and equipment. See also the full range product overview if available. For further information please visit our web site or contact us.

Rev. Nr.	Concept	Date	Created/Revised	Approved
1	Creation	27/08/2015	D.Martinez / E.Roura	D.Martinez