



**R5532\*\* -K**  
**RAST 5 TERMINALS AND CONNECTORS · FLAGS FOR CONNECTOR**



**Specification** Flag Holder RAST 5 Crimp Connect Connectors

**Ways** 2

**Thermal Characteristics**

Part nr.	Raw material	Color	Flammability Class (UL 94)	Glow Wire Test (GWT) (IEC60695-2-11)	Glow Wire Flammability Index (IEC60695-2-12)	RTI electrical (Max. Operating Temp.)
R553210-K	PA66V2	Natural	V2	(T.B.D.)	850°C	105°C
R553230-K	PA66V0	Natural	V0	(T.B.D.)	960°C	140°C
R553240-K	NO FLAME	Natural	V2	(T.B.D.)	960°C	130°C
R553270-K	PPV2 NF	Natural	(T.B.D.)	(T.B.D.)	(T.B.D.)	(T.B.D.)

For other materials and colors ask to: info@escubedo.com

**Compatible terminals** 5332.\*\*, 5332F\*\*, 5333.\*\*, 5333F\*\*, 5334.\*\*, 5335.\*\*, 5336.\*\*

**Insertion / Withdrawal forces**

	R553210-K / 30 / 40 / 70
Terminal into connector cavity. Insertion force (max)	12N
Terminal from connector cavity - only primary lock. Withdrawal force (min)	50N
Terminal from connector cavity - primary + secondary lock. Withdrawal force (min)	50N

**Counterpart** R5692\*\* -K; R5642\*\* -K

**Approved regulations**

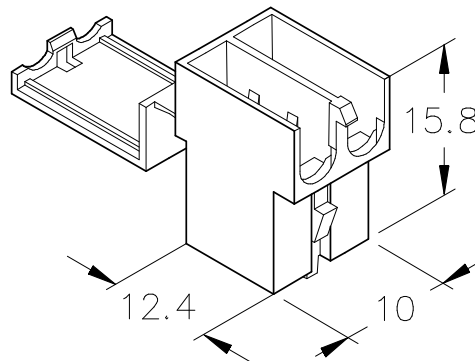
Part nr.	Approval	Standard	File	Certified framework
R553210-K <sup>1</sup>	UL	UL 1977	E245592	V2 / RTI Elec., Max. Operating Temp, 65°C
R553230-K <sup>1</sup>	UL	UL 1977	E245592	V0 / RTI Elec., Max. Operating Temp, 110°C
R553240-K <sup>1</sup>	UL	UL 1977	E245592	V2 / RTI Elec., Max. Operating Temp, 105°C

<sup>1</sup> Cat. No. meets with the standard UL 1977 as a component of UP-RAST5 full connection system  
5332.\*\*; 5333.\*\* - 12A/600V (USR, CND)  
5334.\*\*; 5335.\*\* - 15A/600V (USR, CND)

**Approvals**



**Drawing**





**R5532\*\*-K**

**RAST 5 TERMINALS AND CONNECTORS · FLAGS FOR CONNECTOR**



(T.B.D.): To be determined

**Disclaimer**

Data obtained from Escubedo Laboratory essays, using own methodology, cablings, equipment and original crimping tools, done in laboratory conditions and following the indicated standards, errors and omissions excepted. This document has no contractual meaning and it is publiscised only for informative purposes. It can be changed without prior notice. The end customer has the sole responsibility to check these characteristics in its environment and with its own components, manufacturing methods and equipment. See also the full range product overview if available. For further information please visit our web site or contact us

Rev. Nr.	Concept	Date	Created/Revised	Approved
A2	Compatible terminals updated	2020-05-18	M.Codina (Engineering dept.)	M.Codina (Engineering dept.)
A1	Datasheet generated automatically [A1]	2020-02-26	E. Roura (Laboratory dept.)	M. Codina (Engineering dept.)