



P8412**

6.3 (.250) TYPE SERIES · RECEPTACLES FOR CONNECTOR



Specification Housings receptacles pitch 8 mm

Typology 2 ways Connector

Ways 2

Thermal Characteristics

Part nr.	Raw material	Color	Flammability Class (UL 94)	Glow Wire Test (GWT) (IEC60695-2-11)	Glow Wire Flammability Index (IEC60695-2-12)	RTI electrical (Max. Operating Temp.)
P841210	PA66V2	Natural	V2	550°C	850°C	105°C
P841240	PA66NF	Natural	V2	750°C	960°C	130°C
P841245	PA66NF	Black	V2	750°C	960°C	130°C
P841260	PAV0NF	Natural	V2	(T.B.D.)	960°C	120°C
P841295	PPS	Black	V0	(T.B.D.)	(T.B.D.)	130°C

For other materials and colors ask to: info@escubedo.com

Compatible terminals 4120.**, 4120E**, 4120F**, 4121.**, 4121E**, 4121F**, 4122.**, 4123.**, 4124.**, 4125.**

Insertion / Withdrawal forces

	P841210 / 40 / 45 / 60 / 95
1st Insertion (max, connector-receptacle)	15N ¹
1st Withdrawal (min, connector-receptacle)	75N ¹

¹ Valid for UP-TP Receptacles

Approved regulations

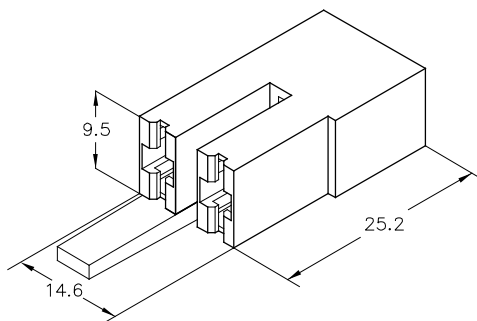
Part nr.	Approval	Standard	File	Certified framework
P841210 ¹	UL	UL 1977	E245592	V2 / RTI Elec., Max. Operating Temp, 65°C.

¹ Cat. No. meets with the standard UL1977 as part of the end product.

Approvals



Drawing





P8412**

6.3 (.250) TYPE SERIES · RECEPTACLES FOR CONNECTOR



(T.B.D.): To be determined

Disclaimer

Data obtained from Escubedo Laboratory essays, using own methodology, cablings, equipment and original crimping tools, done in laboratory conditions and following the indicated standards, errors and omissions excepted. This document has no contractual meaning and it is publiscised only for informative purposes. It can be changed without prior notice. The end customer has the sole responsibility to check these characteristics in its environment and with its own components, manufacturing methods and equipment. See also the full range product overview if available. For further information please visit our web site or contact us

Rev. Nr.	Concept	Date	Created/Revised	Approved
A2	Update thermal characteristics	2019-01-18	Laboratory Dept.	E. Roura
A1	Datasheet generated automatically [A1]	2018-11-28	Laboratory Dept.	E. Roura