

9304.** 2.8 (.110) TYPE SERIES · MALES FOR CONNECTOR



Specification Unimaterial Power Terminal

Tongue thickness (mm) 2.8x0.8

Wire size mm² (AWG) 1,25-2,5 (16-14)

Ø Insulation (mm) 2,2-3

Materials, temperature and contact resistance



Part nr.	Material	Finishing	Max. Temp. (°C)	Contact Resist (mΩ)
9304.51	Cu. Alloy	Pre-tin-plated	150	1.50

Material thickness (mm) 0,32

Application tool MN9304

Wire strip length 3.7 (±0.3) mm

Crimping parameters & pull out force

Wire section (±10%)	Conductor 		Insulator 	Pull-out force (N)
	Height (mm)	Width (mm)	Width (mm)	
1.25 mm ²	1.50 (±0.05)	2.57 (±0.05)	3.68 (±0.10)	108N @ 60s
1.50 mm ²	1.60 (±0.05)	2.58 (±0.05)	3.68 (±0.10)	150N @ 60s
2.00 mm ²	1.80 (±0.05)	2.57 (±0.05)	3.68 (±0.10)	150N @ 60s
2.50 mm ²	1.90 (±0.05)	2.62 (±0.05)	3.69 (±0.10)	230N @ 60s

Values only valid for the application tool specified upwards. The insulator widths are only indicative as they are dependent on the sheath thickness of the wire used.

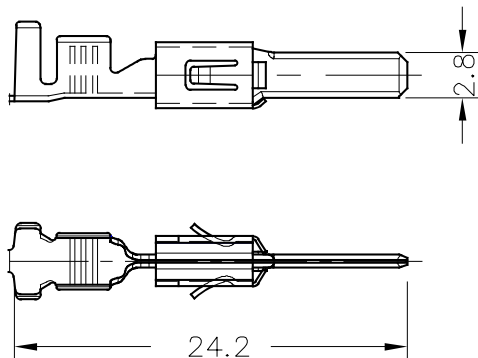
Winding number 3000

Compatible connectors 90001777

Approvals



Drawing



9304.****2.8 (.110) TYPE SERIES · MALES FOR CONNECTOR****Disclaimer**

Data obtained from Escubedo Laboratory essays, using own methodology, cablings, equipment and original crimping tools, done in laboratory conditions and following the indicated standards, errors and omissions excepted. This document has no contractual meaning and it is publicised only for informative purposes. It can be changed without prior notice. The end customer has the sole responsibility to check these characteristics in its environment and with its own components, manufacturing methods and equipment. See also the full range product overview if available. For further information please visit our web site or contact us

Rev. Nr.	Concept	Date	Created/Revised	Approved
A4	Change company name and logo	2021-10-21	Laboratory Dept.	E. Roura
A3	Update datasheet - Material '.31' delated	2019-09-04	Laboratory Dept.	E. Roura
A2	Update comptaible connector	2019-02-21	Laboratory Dept.	E. Roura
A1	Datasheet generated automatically [A1]	2018-12-18	Laboratory Dept.	E. Roura