

7522.** STANDARD UP-LOK · MALES FOR CONNECTOR



Specification	Males
Description	Solid pin
Ø (mm)	2,12
Wire size mm² (AWG)	0,5-2,1 (20-14)
Ø Insulation (mm)	1,5-3,3
Counterpart	8520.**, 8522.**

Materials, temperature and contact resistance

Part nr.	Material	Finishing	Max. Temp. (°C)
7522.00	Brass	Natural	110
7522.01	Brass	Pre-tin-plated	120
7522.30	Bronze	Natural	120
7522.31	Bronze	Pre-tin-plated	130

Material thickness (mm) 0,3

Application tool MN7522

Wire strip length 3.8 (±0.3) mm

Crimping parameters & pull out force

Wire section (±10%)	Conductor		Insulator Width (mm)	Pull-out force (N)
	Height (mm)	Width (mm)		
0.50 mm ²	1.41 (±0.03)	2.34 (±0.03)	3.60 (±0.10)	56N @ 60s
0.75 mm ²	1.51 (±0.05)	2.35 (±0.05)	3.56 (±0.10)	84N @ 60s
1.00 mm ²	1.55 (±0.05)	2.35 (±0.05)	3.57 (±0.10)	108N @ 60s
1.50 mm ²	1.60 (±0.05)	2.37 (±0.05)	3.58 (±0.10)	150N @ 60s
2.00 mm ²	1.69 (±0.05)	2.38 (±0.05)	3.60 (±0.10)	150N @ 60s

Values only valid for the application tool specified upwards. The insulator widths are only indicative as they are dependent on the sheath thickness of the wire used.

Winding number 6000

Compatible connectors 22102**, 22103**, 22104**, 22105**, 22106**, 22109**, 22122**, 22141**, 22142**, 22143**, 22144**, 22145**, 22146**, 22147**, 22149**, 22151**, 22152**, 22153**, 22154**, 22155**, 22156**, 22157**, 22159**, 22162**, 22165**, 22172**, 22175**

Approved regulations

Part nr.	Approval	Standard	File	Certified framework
7522.00 ¹	UL	UL 1977	E223221	AWG 20-14 (10-41 Stranded Cu) / MN7522
7522.01 ¹	UL	UL 1977	E223221	AWG 20-14 (10-41 Stranded Cu) / MN7522
7522.30 ¹	UL	UL 1977	E223221	AWG 20-14 (10-41 Stranded Cu) / MN7522
7522.31 ¹	UL	UL 1977	E223221	AWG 20-14 (10-41 Stranded Cu) / MN7522

¹ Cat. No. meets with the standard UL1977 as a component of UP-LOK full connection system.
Rated current and voltage:
7522.01/8522.01 - AWG 14 - 16A/400V (USR) - 8A/400V (CNR)
7522.01/8522.01 - AWG 20 - 8A/400V (USR) - 5A/400V (CNR)

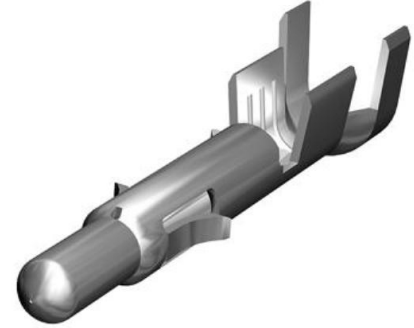
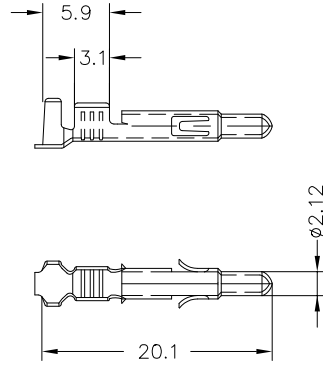
Approvals



7522.** STANDARD UP-LOK · MALES FOR CONNECTOR



Drawing



Disclaimer

Data obtained from Escubedo Laboratory essays, using own methodology, cablings, equipment and original crimping tools, done in laboratory conditions and following the indicated standards, errors and omissions excepted. This document has no contractual meaning and it is publicised only for informative purposes. It can be changed without prior notice. The end customer has the sole responsibility to check these characteristics in its environment and with its own components, manufacturing methods and equipment. See also the full range product overview if available. For further information please visit our web site or contact us

Rev. Nr.	Concept	Date	Created/Revised	Approved
A5	Approved regulations - Correction	2022-09-22	Laboratory Dept.	E. Roura (Laboratory Dept.)
A4	Change company name and logo	2021-10-21	Laboratory Dept.	E. Roura (Laboratory Dept.)
A3	Update Wire strip length	2021-10-21	Laboratory Dept.	E. Roura (Laboratory Dept.)
A2	Update UL regulation	2019-02-20	Laboratory Dept.	E. Roura
A1	Datasheet generated automatically [A1]	2018-08-10	Laboratory Dept.	E. Roura