

## 5246.\*\* 6.3 (.250) TYPE SERIES · FLAG MALE TERMINALS



**For male (mm)** 6,3x0,8

**Wire size mm<sup>2</sup> (AWG)** 1-2,5 (18-14)

**Ø Insulation (mm)** 2,5-3,7

**Materials, temperature and contact resistance**

Part nr.	Material	Finishing	Max. Temp. (°C)
5246.00	Brass	Natural	110
5246.01	Brass	Pre-tin-plated	120
5246.24	Steel	Nickel-plated	300

**Material thickness (mm)** 0,4

**Max. rated current**

Wire section	5246.00 / 01 / 24
1.00 mm <sup>2</sup>	12A
1.50 mm <sup>2</sup>	16A
2.50 mm <sup>2</sup>	20A

**Insertion / Withdrawal forces**


	5246.00	5246.01 / 24
1st Insertion (max)	35N <sup>1</sup>	35N <sup>1</sup>
1st Withdrawal (max)	60N <sup>1</sup>	60N <sup>1</sup>
1st Withdrawal (min)	27N <sup>1</sup>	22N <sup>1</sup>
6th Withdrawal (min)	22N <sup>1</sup>	18N <sup>1</sup>

<sup>1</sup> Valid for Natural Brass Tab

**Application tool** MN5246

**Wire strip length** 5.0 (±0.5) mm

**Crimping parameters & pull out force**

Wire section (±10%)	Conductor 		Pull-out force (N)
	Height (mm)	Width (mm)	
1.00 mm <sup>2</sup>	1.50 (±0.05)	2.87 (±0.05)	230N @ 60s
1.50 mm <sup>2</sup>	1.65 (±0.05)	2.89 (±0.05)	150N @ 60s
2.00 mm <sup>2</sup>	1.80 (±0.05)	2.90 (±0.05)	150N @ 60s
2.50 mm <sup>2</sup>	1.90 (±0.05)	2.92 (±0.05)	108N @ 60s

Values only valid for the application tool specified upwards. The insulator widths are only indicative as they are dependent on the sheath thickness of the wire used.

**Winding number** 1250

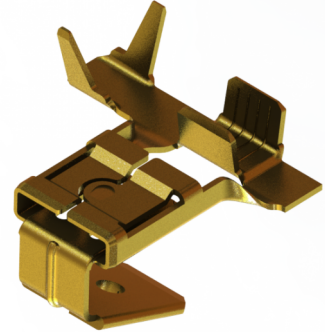
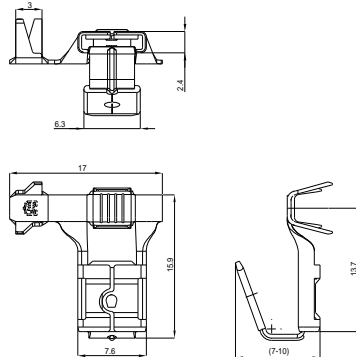
**Approvals**



## 5246.\*\* 6.3 (.250) TYPE SERIES · FLAG MALE TERMINALS



### Drawing



### Disclaimer

Data obtained from Escubedo Laboratory essays, using own methodology, cablings, equipment and original crimping tools, done in laboratory conditions and following the indicated standards, errors and omissions excepted. This document has no contractual meaning and it is publiscised only for informative purposes. It can be changed without prior notice. The end customer has the sole responsibility to check these characteristics in its environment and with its own components, manufacturing methods and equipment. See also the full range product overview if available. For further information please visit our web site or contact us

Rev. Nr.	Concept	Date	Created/Revised	Approved
A2	Update Winding Number	2024-03-27	D. Yabar (Engineering Dept.)	E. Roura (Laboratory Dept.)
A1	Datasheet generated automatically [A1]	2022-10-11	D. Yabar (Engineering Dept.)	E. Roura (Laboratory Dept.)

Escubedo Connection Systems, S.A.U. · Ctra. de Girona-Olot Km. 35,5 · 17843 Riudellots de la Creu · Girona · Spain  
Tel.: 34 972 171 706 · Fax: +34 972 171 714 · [info@escubedo.com](mailto:info@escubedo.com) · [www.escubedo.com](http://www.escubedo.com)