

## 5242.\*\* 6.3 (.250) TYPE SERIES · FLAG MALE TERMINALS



**For male (mm)** 6,3x0,8

**Wire size mm<sup>2</sup> (AWG)** 0,5-1 (20-18)

**Ø Insulation (mm)** 1,8-2,5

**Materials, temperature and contact resistance**

Part nr.	Material	Finishing	Max. Temp. (°C)
5242.00	Brass	Natural	110
5242.01	Brass	Pre-tin-plated	120
5242.24	Steel	Nickel-plated	300

**Material thickness (mm)** 0,4

**Max. rated current**

Wire section	5242.00 / 01 / 24
0.50 mm <sup>2</sup>	8A
0.75 mm <sup>2</sup>	10A
1.00 mm <sup>2</sup>	12A

**Insertion / Withdrawal forces**

	5242.00	5242.01 / 24
1st Insertion (max)	35N <sup>1</sup>	35N <sup>1</sup>
1st Withdrawal (max)	60N <sup>1</sup>	60N <sup>1</sup>
1st Withdrawal (min)	27N <sup>1</sup>	22N <sup>1</sup>
6th Withdrawal (min)	22N <sup>1</sup>	18N <sup>1</sup>

<sup>1</sup> Valid for Natural Brass Tab

**Application tool** MN5242

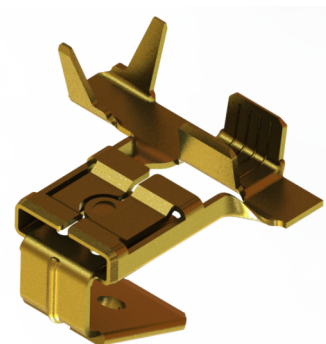
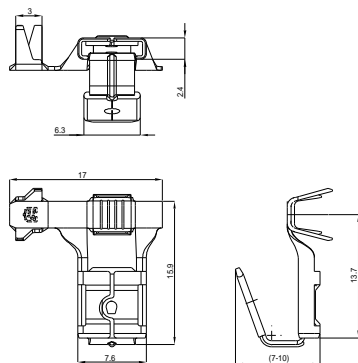
**Wire strip length** 5.0 (±0.5) mm

**Winding number** 1500

**Approvals**



**Drawing**



**5242.\*\*****6.3 (.250) TYPE SERIES · FLAG MALE TERMINALS****Disclaimer**

Data obtained from Escubedo Laboratory essays, using own methodology, cablings, equipment and original crimping tools, done in laboratory conditions and following the indicated standards, errors and omissions excepted. This document has no contractual meaning and it is publicised only for informative purposes. It can be changed without prior notice. The end customer has the sole responsibility to check these characteristics in its environment and with its own components, manufacturing methods and equipment. See also the full range product overview if available. For further information please visit our web site or contact us

Rev. Nr.	Concept	Date	Created/Revised	Approved
A2	Add 3D image and sketch	2024-03-27	D. Yabar (Engineering Dept.)	E. Roura (Laboratory Dept.)
A1	Datasheet generated automatically [A1]	2022-10-11	D. Yabar (Engineering Dept.)	E. Roura (Laboratory Dept.)

Escubedo Connection Systems, S.A.U. · Ctra. de Girona-Olot Km. 35,5 · 17843 Riudellots de la Creu · Girona · Spain  
Tel.: 34 972 171 706 · Fax: +34 972 171 714 · [info@escubedo.com](mailto:info@escubedo.com) · [www.escubedo.com](http://www.escubedo.com)