

## 5240.\*\* 6.3 (.250) TYPE SERIES · FLAG MALE TERMINALS



For male (mm)	6,3x0,8
Wire size mm <sup>2</sup> (AWG)	0,2-0,5 (24-20)
Ø Insulation (mm)	1,4-2,1

### Materials, temperature and contact resistance

Part nr.	Material	Finishing	Max. Temp. (°C)
5240.00	Brass	Natural	110
5240.01	Brass	Pre-tin-plated	120
5240.24	Steel	Nickel-plated	300

Material thickness (mm) 0,4

### Max. rated current

Wire section	5240.00 / 01 / 24
0.20 mm <sup>2</sup>	2A
0.35 mm <sup>2</sup>	6A
0.50 mm <sup>2</sup>	8A

### Insertion / Withdrawal forces

	5240.00	5240.01 / 24
1st Insertion (max)	35N <sup>1</sup>	35N <sup>1</sup>
1st Withdrawal (max)	60N <sup>1</sup>	60N <sup>1</sup>
1st Withdrawal (min)	27N <sup>1</sup>	22N <sup>1</sup>
6th Withdrawal (min)	22N <sup>1</sup>	18N <sup>1</sup>

<sup>1</sup> Valid for Natural Brass Tab

Application tool MN5240

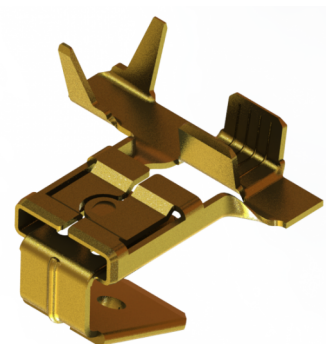
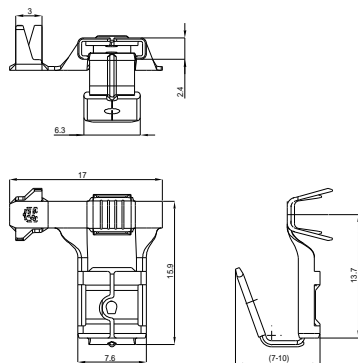
Wire strip length 5.0 (±0.5) mm

Winding number 1500

### Approvals



### Drawing



**5240.\*\***

**6.3 (.250) TYPE SERIES · FLAG MALE TERMINALS**



**Disclaimer**

Data obtained from Escubedo Laboratory essays, using own methodology, cabling, equipment and original crimping tools, done in laboratory conditions and following the indicated standards, errors and omissions excepted. This document has no contractual meaning and it is publicised only for informative purposes. It can be changed without prior notice. The end customer has the sole responsibility to check these characteristics in its environment and with its own components, manufacturing methods and equipment. See also the full range product overview if available. For further information please visit our web site or contact us

Rev. Nr.	Concept	Date	Created/Revised	Approved
A2	Add 3D image and sketch	2024-03-27	D. Yabar (Engineering Dept.)	E. Roura (Laboratory Dept.)
A1	Datasheet generated automatically [A1]	2022-10-11	D. Yabar (Engineering Dept.)	E. Roura (Laboratory Dept.)

Escubedo Connection Systems, S.A.U. · Ctra. de Girona-Olot Km. 35,5 · 17843 Riudellots de la Creu · Girona · Spain  
 Tel.: 34 972 171 706 · Fax: +34 972 171 714 · [info@escubedo.com](mailto:info@escubedo.com) · [www.escubedo.com](http://www.escubedo.com)