

4913.** 4.8 (.187) TYPE SERIES · RECEPTACLES



Specification Basic self locking under TP design

For male (mm) 4,8x0,5

Wire size mm² (AWG) 0,5-1 (20-18)

Ø Insulation (mm) 1,8-2,5

Materials, temperature and contact resistance

| Part nr. | Material | Finishing | Max. Temp. (°C) |
|----------|----------|----------------|-----------------|
| 4913.00 | Brass | Natural | 110 |
| 4913.01 | Brass | Pre-tin-plated | 120 |
| 4913.24 | Steel | Nickel-plated | 300 |
| 4913.30 | Bronze | Natural | 120 |
| 4913.31 | Bronze | Pre-tin-plated | 130 |

Material thickness (mm) 0,35

Max. rated current

| Wire section | 4913.00 / 01 / 24 / 30 / 31 |
|----------------------|-----------------------------|
| 0.50 mm ² | 8A |
| 0.75 mm ² | 10A |
| 1.00 mm ² | 12A |

Insertion / Withdrawal forces


| | 4913.00 / 01 / 24 / 30 / 31 |
|---------------------------------------|-----------------------------|
| 1st Insertion (max) | 25N ¹ |
| 1st Withdrawal (min, locking enabled) | 70N ¹ |

¹ Valid for Natural Brass Tab

Application tool MN4913

Wire strip length 4.4 (±0.5) mm

Crimping parameters & pull out force

| Wire section (±10%) | Conductor  | | Insulator | Pull-out force (N) |
|----------------------|---|--------------|--------------|--------------------|
| | Height (mm) | Width (mm) | Width (mm) | |
| 0.50 mm ² | 1.30 (±0.03) | 2.10 (±0.03) | 3.08 (±0.10) | 56N @ 60s |
| 0.75 mm ² | 1.40 (±0.05) | 2.11 (±0.05) | 3.09 (±0.10) | 84N @ 60s |
| 1.00 mm ² | 1.50 (±0.05) | 2.12 (±0.05) | 3.12 (±0.10) | 108N @ 60s |

Values only valid for the application tool specified upwards. The insulator widths are only indicative as they are dependent on the sheath thickness of the wire used.

Winding number 10000

Approved regulations

| Part nr. | Approval | Standard | File | Certified framework |
|----------|----------|----------|---------|--|
| 4913.00 | UL | UL 310 | E211727 | AWG 20-18 (10-16 Stranded Cu) / MN4913 |
| 4913.01 | UL | UL 310 | E211727 | AWG 20-18 (10-16 Stranded Cu) / MN4913 |
| 4913.24 | UL | UL 310 | E211727 | AWG 20-18 (10-16 Stranded Cu) / MN4913 |

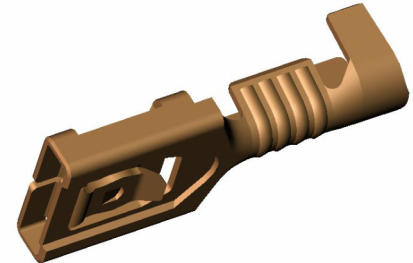
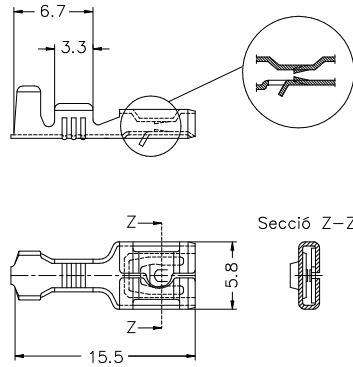
Approvals



4913.**
4.8 (.187) TYPE SERIES · RECEPTACLES



Drawing



Disclaimer

Data obtained from Escubedo Laboratory essays, using own methodology, cabling, equipment and original crimping tools, done in laboratory conditions and following the indicated standards, errors and omissions excepted. This document has no contractual meaning and it is publiscised only for informative purposes. It can be changed without prior notice. The end customer has the sole responsibility to check these characteristics in its environment and with its own components, manufacturing methods and equipment. See also the full range product overview if available. For further information please visit our web site or contact us

| Rev. Nr. | Concept | Date | Created/Revised | Approved |
|----------|--------------------------------------|------------|----------------------------|-----------------------------|
| A2 | Change company name and logo | 2021-10-21 | E.Roura (Laboratory Dept.) | D.Yabar (Engineering Dept.) |
| A1 | Datasheet updated automatically [A1] | 2021-03-02 | E.Roura (Laboratory Dept.) | D.Yabar (Engineering Dept.) |

Escubedo Connection Systems, S.A.U. · Ctra. de Girona-Olot Km. 35,5 · 17843 Riudellots de la Creu · Girona · Spain
Tel.: 34 972 171 706 · Fax: +34 972 171 714 · info@escubedo.com · www.escubedo.com