



4815E**
4.8 (.187) TYPE SERIES · RECEPTACLES



Specification Low insertion

For male (mm) 4,8x0,8

Wire size mm² (AWG) 0,5-1,5 (20-16)

Ø Insulation (mm) 1,8-2,5

Materials, temperature and contact resistance

Part nr.	Material	Finishing	Max. Temp. (°C)	Contact Resist (mΩ)
4815E00	Brass	Natural	110	0.85
4815E01	Brass	Pre-tin-plated	120	0.65
4815E24	Steel	Nickel-plated	300	1.25
4815E30	Bronze	Natural	120	(T.B.D.)
4815E31	Bronze	Pre-tin-plated	130	(T.B.D.)

Material thickness (mm) 0,35

Max. rated current

Wire section	4815E00 / 01 / 24 / 30 / 31
0.50 mm ²	8A
0.75 mm ²	10A
1.00 mm ²	12A
1.50 mm ²	16A

Insertion / Withdrawal forces


	4815E00 / 01 / 24 / 30 / 31
1st Insertion (max)	25N ¹
1st Withdrawal (max)	50N ¹
1st Withdrawal (min)	22N ¹
6th Withdrawal (min)	13N ¹

¹ Valid for Natural Brass Tab

Application tool MN4815E

Wire strip length 4.4 (±0.5) mm

Crimping parameters & pull out force

Wire section (±10%)	Conductor 		Insulator	Pull-out force (N)
	Height (mm)	Width (mm)		
0.50 mm ²	1.30 (±0.03)	2.36 (±0.03)	3.13 (±0.10)	56N @ 60s
0.75 mm ²	1.40 (±0.05)	2.37 (±0.05)	3.13 (±0.10)	84N @ 60s
1.00 mm ²	1.50 (±0.05)	2.39 (±0.05)	3.14 (±0.10)	108N @ 60s
1.50 mm ²	1.65 (±0.05)	2.40 (±0.05)	3.15 (±0.10)	150N @ 60s

Values only valid for the application tool specified upwards. The insulator widths are only indicative as they are dependent on the sheath thickness of the wire used.

Winding number 10000

Compatible connectors 24814**

Approved regulations

Part nr.	Approval	Standard	File	Certified framework
4815E00	UL	UL 310	E211727	AWG 20-16 (10-26 Stranded Cu) / MN4815E
4815E01	UL	UL 310	E211727	AWG 20-16 (10-26 Stranded Cu) / MN4815E



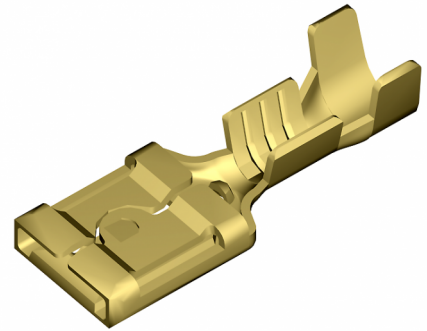
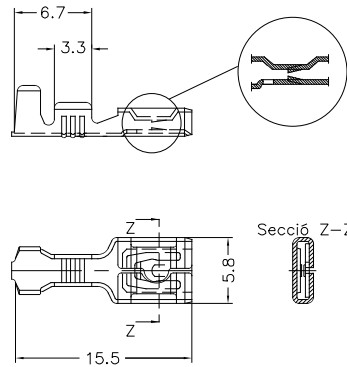
4815E**
4.8 (.187) TYPE SERIES · RECEPTACLES



Approvals



Drawing

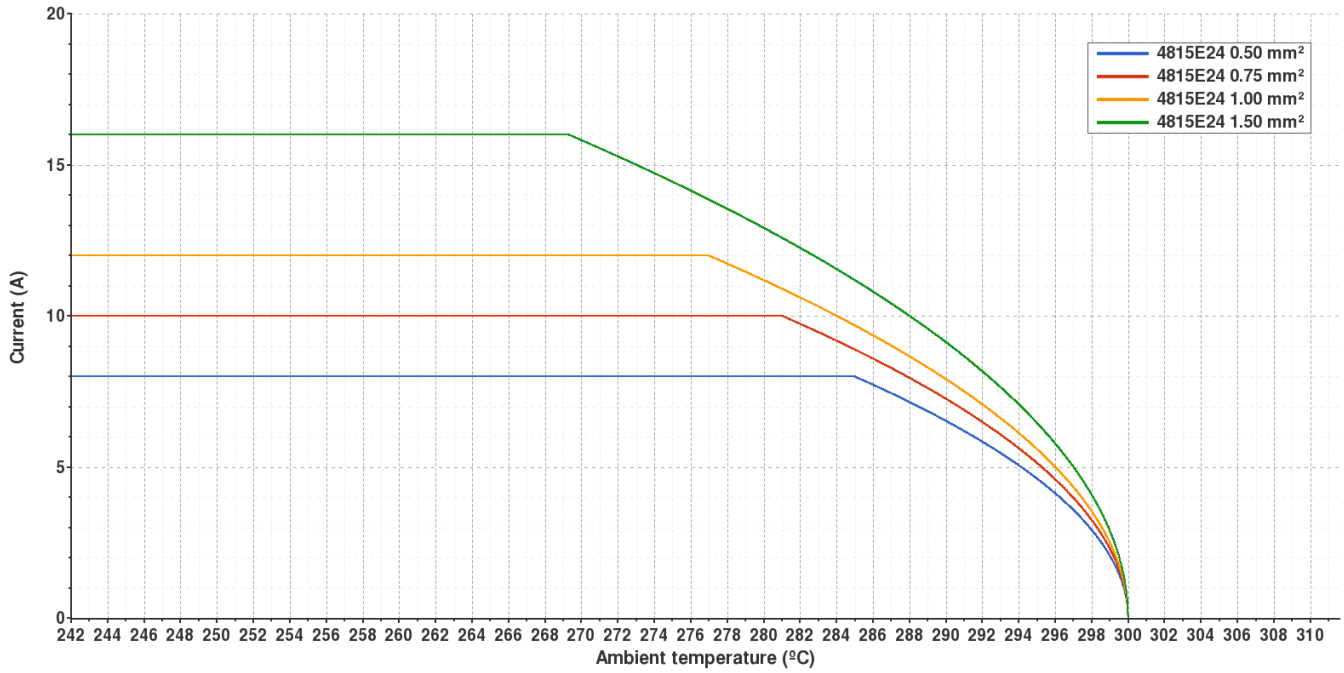




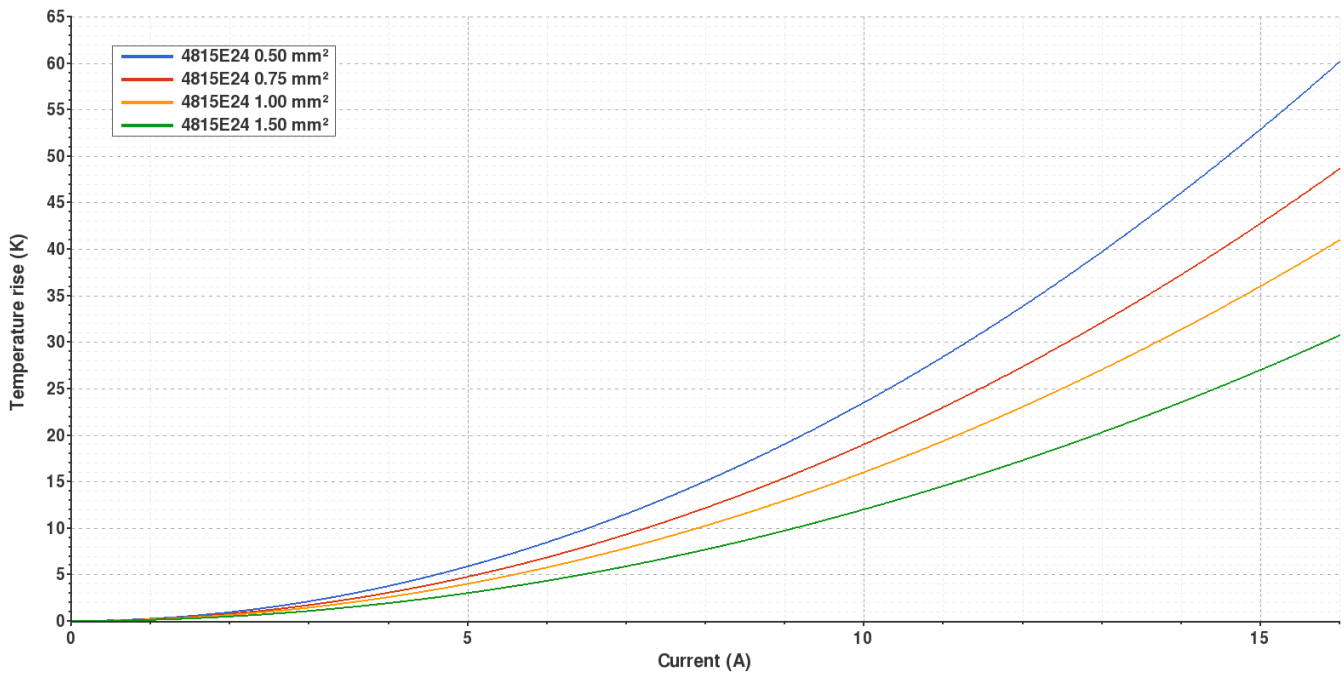
4815E24 NICKEL-PLATED STEEL
4.8 (.187) TYPE SERIES · RECEPTACLES



Derating curve Current carrying capacity vs. Ambient temperature



Temperature rise curve Terminal temperature rise due to the current carried



Valid for Natural Brass Tab



4815E**
4.8 (.187) TYPE SERIES · RECEPTACLES



(T.B.D.): To be determined

Disclaimer

Data obtained from Escubedo Laboratory essays, using own methodology, cablings, equipment and original crimping tools, done in laboratory conditions and following the indicated standards, errors and omissions excepted. This document has no contractual meaning and it is publiscised only for informative purposes. It can be changed without prior notice. The end customer has the sole responsibility to check these characteristics in its environment and with its own components, manufacturing methods and equipment. See also the full range product overview if available. For further information please visit our web site or contact us

Rev. Nr.	Concept	Date	Created/Revised	Approved
A2	Update [Contact resistance]	2019-02-27	Laboratory Dept.	E. Roura
A1	Datasheet generated automatically [A1]	2019-02-12	Laboratory Dept.	E. Roura