

## 4724.\*\* 6.3 (.250) TYPE SERIES · RECEPTACLES SELF-LOCKING RECEPTACLES



**Specification** Standard self-locking terminals for connector disconnection

**For male (mm)** 6,3x0,8

**Wire size mm<sup>2</sup> (AWG)** 2,5-5 (14-10)

**Ø Insulation (mm)** 3,6-5

**Materials, temperature and contact resistance**

Part nr.	Material	Finishing	Max. Temp. (°C)
4724.00	Brass	Natural	110
4724.02	Brass	Tin plated	120
4724.30	Bronze	Natural	120
4724.32	Bronze	Tin plated	130
4724.70	German Silver	Natural	210

**Material thickness (mm)** 0,4

**Max. rated current**

Wire section	4724.00 / 02 / 30 / 32 / 70
2.50 mm <sup>2</sup>	20A

**Insertion / Withdrawal forces**

	4724.00 / 02 / 30 / 32 / 70
1st Insertion (max)	35N <sup>1</sup>
1st Withdrawal (max)	30N <sup>1</sup>
1st Withdrawal (min, locking enabled)	90N <sup>1</sup>

<sup>1</sup> Valid for Natural Brass Tab

**Security function**

Self-locking function prevents disconnection by pulling the cable. Disconnection is possible disabling the locking function, pressing the lever manually or sliding the connector (see withdrawal forces). It allows several connections-disconnections maintaining the functional features.


**Application tool**

MN4724

**Wire strip length**

5.5 (±0.5) mm

**Crimping parameters & pull out force**

Wire section (±10%)	Conductor 		Insulator	Pull-out force (N)
	Height (mm)	Width (mm)		
1.00 + 2.50 mm <sup>2</sup>	2.20 (±0.05)	3.58 (±0.05)	4.60 (±0.10)	(108N @ 60s) + (230N @ 60s)
1.50 + 1.50 mm <sup>2</sup>	2.10 (±0.05)	3.58 (±0.05)	4.60 (±0.10)	(150N @ 60s) + (150N @ 60s)
2.00 + 2.00 mm <sup>2</sup>	2.30 (±0.05)	3.59 (±0.05)	(T.B.D.)	(150N @ 60s) + (150N @ 60s)
2.50 mm <sup>2</sup>	1.95 (±0.05)	3.57 (±0.05)	4.60 (±0.10)	230N @ 60s
2.50 + 2.50 mm <sup>2</sup>	2.40 (±0.05)	3.61 (±0.05)	4.71 (±0.10)	(230N @ 60s) + (230N @ 60s)

Values only valid for the application tool specified upwards. The insulator widths are only indicative as they are dependent on the sheath thickness of the wire used.

**Winding number**

6000

**Compatible connectors**

26312\*\*, 26388\*\*

## 4724.\*\* 6.3 (.250) TYPE SERIES · RECEPTACLES SELF-LOCKING RECEPTACLES



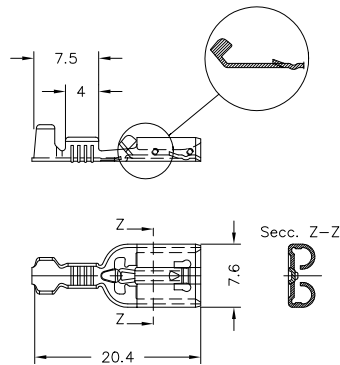
### Approved regulations

Part nr.	Approval	Standard	File	Certified framework
4724.00	UL	UL 310	E211727	AWG 14-10 (41-105 Stranded Cu) / MN4724
4724.02	UL	UL 310	E211727	AWG 14-10 (41-105 Stranded Cu) / MN4724

### Approvals



### Drawing



(T.B.D.): To be determined

### Disclaimer

Data obtained from Escubedo Laboratory essays, using own methodology, cablings, equipment and original crimping tools, done in laboratory conditions and following the indicated standards, errors and omissions excepted. This document has no contractual meaning and it is publicised only for informative purposes. It can be changed without prior notice. The end customer has the sole responsibility to check these characteristics in its environment and with its own components, manufacturing methods and equipment. See also the full range product overview if available. For further information please visit our web site or contact us

Rev. Nr.	Concept	Date	Created/Revised	Approved
A4	Change company name and logo	2021-10-21	Laboratory Dept.	E. Roura
A3	Update datasheet. New material {4724.70}	2021-05-03	Laboratory Dept.	E. Roura
A2	Security function updated	2021-02-22	E.Roura (laboratory dept.)	M.Codina (engineering dept.)
A1	Datasheet generated automatically [A1]	2020-11-16	E.Roura (Laboratory dept.)	M.Codina (Engineering dept.)

Escubedo Connection Systems, S.A.U. · Ctra. de Girona-Olot Km. 35,5 · 17843 Riudellots de la Creu · Girona · Spain  
Tel.: 34 972 171 706 · Fax: +34 972 171 714 · [info@escubedo.com](mailto:info@escubedo.com) · [www.escubedo.com](http://www.escubedo.com)