

4712.**

4.8 (.187) TYPE SERIES · RECEPTACLES

SELF-LOCKING RECEPTACLES



Specification Standard self-locking terminals

Typology Connector disconnection

For male (mm) 4,8x0,5

Wire size mm² (AWG) 0,5-1 (20-18)

Ø Insulation (mm) 1,8-2,5

Materials, temperature and contact resistance

Part nr.	Material	Finishing	Max. Temp. (°C)
4712.00	Brass	Natural	110
4712.02	Brass	Tin plated	120
4712.30	Bronze	Natural	120
4712.32	Bronze	Tin plated	130

Material thickness (mm) 0,35

Max. rated current

Wire section	4712.00 / 02 / 30 / 32
0.50 mm ²	8A
0.75 mm ²	10A
1.00 mm ²	12A

Insertion / Withdrawal forces

	4712.00 / 02 / 30 / 32
1st Insertion (max)	25N ¹
1st Withdrawal (min, locking enabled)	70N ¹

¹ Valid for Natural Brass Tab


Security function

Self-locking function prevents disconnection by pulling the cable. Disconnection is possible disabling the locking function, pressing the lever manually or sliding the connector (see withdrawal forces). It allows several connections-disconnections maintaining the functional features.

Application tool MN4712

Wire strip length 4.2 (±0.5) mm

Crimping parameters & pull out force

Wire section (±10%)	Conductor 		Insulator	Pull-out force (N)
	Height (mm)	Width (mm)	Width (mm)	
0.50 mm ²	1.30 (±0.03)	2.34 (±0.03)	3.09 (±0.10)	56N @ 60s
0.75 mm ²	1.40 (±0.05)	2.35 (±0.05)	3.10 (±0.10)	84N @ 60s
1.00 mm ²	1.50 (±0.05)	2.36 (±0.05)	3.11 (±0.10)	108N @ 60s

Values only valid for the application tool specified upwards. The insulator widths are only indicative as they are dependent on the sheath thickness of the wire used.

Winding number 10000

Compatible connectors 24811**

4712.** 4.8 (.187) TYPE SERIES · RECEPTACLES SELF-LOCKING RECEPTACLES



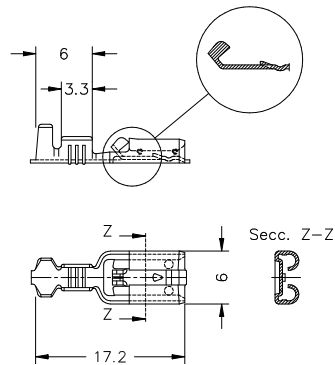
Approved regulations

Part nr.	Approval	Standard	File	Certified framework
4712.00	UL	UL 310	E211727	AWG 20-18 (10-16 Stranded Cu) / MN4712
4712.02	UL	UL 310	E211727	AWG 20-18 (10-16 Stranded Cu) / MN4712

Approvals



Drawing



Disclaimer

Data obtained from Escubedo Laboratory essays, using own methodology, cabling, equipment and original crimping tools, done in laboratory conditions and following the indicated standards, errors and omissions excepted. This document has no contractual meaning and it is publicised only for informative purposes. It can be changed without prior notice. The end customer has the sole responsibility to check these characteristics in its environment and with its own components, manufacturing methods and equipment. See also the full range product overview if available. For further information please visit our web site or contact us

Rev. Nr.	Concept	Date	Created/Revised	Approved
A1	Datasheet generated automatically [A1]	2022-03-17	E. Roura (Laboratory Dept.)	O. Roura (Engineering Dept.)

Escubedo Connection Systems, S.A.U. · Ctra. de Girona-Olot Km. 35,5 · 17843 Riudellots de la Creu · Girona · Spain
Tel.: 34 972 171 706 · Fax: +34 972 171 714 · info@escubedo.com · www.escubedo.com