



**4601.\*\***  
**2.8 (.110) TYPE SERIES · RECEPTACLES**



**For male (mm)** 2,8x0,5

**Wire size mm<sup>2</sup> (AWG)** 0,2-0,6 (24-20)

**Ø Insulation (mm)** 1,5-2 FLR

**Materials, temperature and contact resistance**

| Part nr. | Material | Finishing      | Max. Temp. (°C) |
|----------|----------|----------------|-----------------|
| 4601.00  | Brass    | Natural        | 110             |
| 4601.01  | Brass    | Pre-tin-plated | 120             |

**Material thickness (mm)** 0,25

**Max. rated current**

| Wire section         | 4601.00 / 01 |
|----------------------|--------------|
| 0.20 mm <sup>2</sup> | 2A           |
| 0.50 mm <sup>2</sup> | 5A           |
| 0.60 mm <sup>2</sup> | 5.5A         |

**Insertion / Withdrawal forces**


|                      | 4601.00 / 01     |
|----------------------|------------------|
| 1st Insertion (max)  | 15N <sup>1</sup> |
| 6th Withdrawal (min) | 9N <sup>1</sup>  |

<sup>1</sup> Valid for Natural brass tab

**Application tool** MN4600

**Wire strip length** 4.0 (±0.3) mm

**Crimping parameters & pull out force**

| Wire section (±10%)  | Conductor  |              | Insulator    | Pull-out force (N) |
|----------------------|---|--------------|--------------|--------------------|
|                      | Height (mm)   | Width (mm)   | Width (mm)   |                    |
| 0.20 mm <sup>2</sup> | 0.90 (±0.03)  | 1.55 (±0.03) | 2.30 (±0.10) | 28N @ 60s          |
| 0.30 mm <sup>2</sup> | 0.95 (±0.03)  | 1.55 (±0.03) | 2.30 (±0.10) | 28N @ 60s          |
| 0.50 mm <sup>2</sup> | 1.05 (±0.03)  | 1.56 (±0.03) | 2.31 (±0.10) | 56N @ 60s          |
| 0.60 mm <sup>2</sup> | 1.10 (±0.05)  | 1.56 (±0.05) | 2.30 (±0.10) | 56N @ 60s          |

Values only valid for the application tool specified upwards. The insulator widths are only indicative as they are dependent on the sheath thickness of the wire used.

**Winding number** 15000

**Compatible connectors** 22814\*\*

**Approvals**

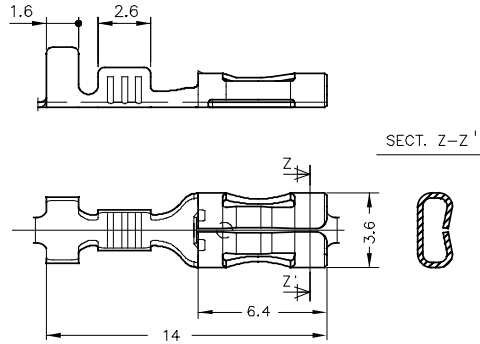




**4601.\*\***  
**2.8 (.110) TYPE SERIES · RECEPTACLES**



**Drawing**



**Disclaimer**

Data obtained from Escubedo Laboratory essays, using own methodology, cablings, equipment and original crimping tools, done in laboratory conditions and following the indicated standards, errors and omissions excepted. This document has no contractual meaning and it is publicised only for informative purposes. It can be changed without prior notice. The end customer has the sole responsibility to check these characteristics in its environment and with its own components, manufacturing methods and equipment. See also the full range product overview if available. For further information please visit our web site or contact us

| Rev. Nr. | Concept                              | Date       | Created/Revised             | Approved                      |
|----------|--------------------------------------|------------|-----------------------------|-------------------------------|
| A1       | Datasheet created automatically [A1] | 2019-09-24 | E. Roura (Laboratory Dept.) | M. Codina (Engineering Dept.) |

Especialitats Elèctriques Escubedo S.A.U. · Ctra. de Girona-Olot Km. 35,5 · 17843 Riudellots de la Creu · Girona · Spain  
Tel.: 34 972 171 706 · Fax: +34 972 171 714 · [info@escubedo.com](mailto:info@escubedo.com) · [www.escubedo.com](http://www.escubedo.com)