

4402D** 2.8 (.110) TYPE SERIES · RECEPTACLES



Specification For DIN tab terminals

For male (mm) 2,8x0,5

Din 46247

Wire size mm² (AWG) 0,1-0,3 (26-22)

Ø Insulation (mm) 1-1,8

Materials, temperature and contact resistance

Part nr.	Material	Finishing	Max. Temp. (°C)
4402D00	Brass	Natural	110
4402D02	Brass	Tin plated	120
4402D30	Bronze	Natural	120
4402D32	Bronze	Tin plated	130

Material thickness (mm) 0,25

Insertion / Withdrawal forces

	4402D00 / 02 / 30 / 32
1st Insertion (max)	35N ¹
1st Withdrawal (max)	40N ¹
1st Withdrawal (min)	13N ¹
6th Withdrawal (min)	9N ¹

¹ Valid for Natural Brass Tab

Crimping parameters & pull out force

Wire section (±10%)	Conductor		Insulator	Pull-out force (N)
	Height (mm)	Width (mm)	Width (mm)	
0.15 mm ²	0.80 (±0.03)	1.53 (±0.03)	1.67 (±0.10)	≥ 20N
0.25 mm ²	0.85 (±0.03)	1.53 (±0.03)	1.70 (±0.10)	28N @ 60s
0.30 mm ²	0.90 (±0.03)	1.54 (±0.03)	1.70 (±0.10)	28N @ 60s
22 AWG	0.90 (±0.03)	1.54 (±0.03)	1.70 (±0.10)	36N @ 60s
24 AWG	0.85 (±0.03)	1.54 (±0.03)	1.68 (±0.10)	22,3N @ 60s
26 AWG	0.82 (±0.03)	1.54 (±0.03)	1.67 (±0.10)	13,4N @ 60s

Values only valid for the application tool specified upwards. The insulator widths are only indicative as they are dependent on the sheath thickness of the wire used.

Winding number 15000

Compatible connectors 22810**, 22811**, 22812**, 22820**

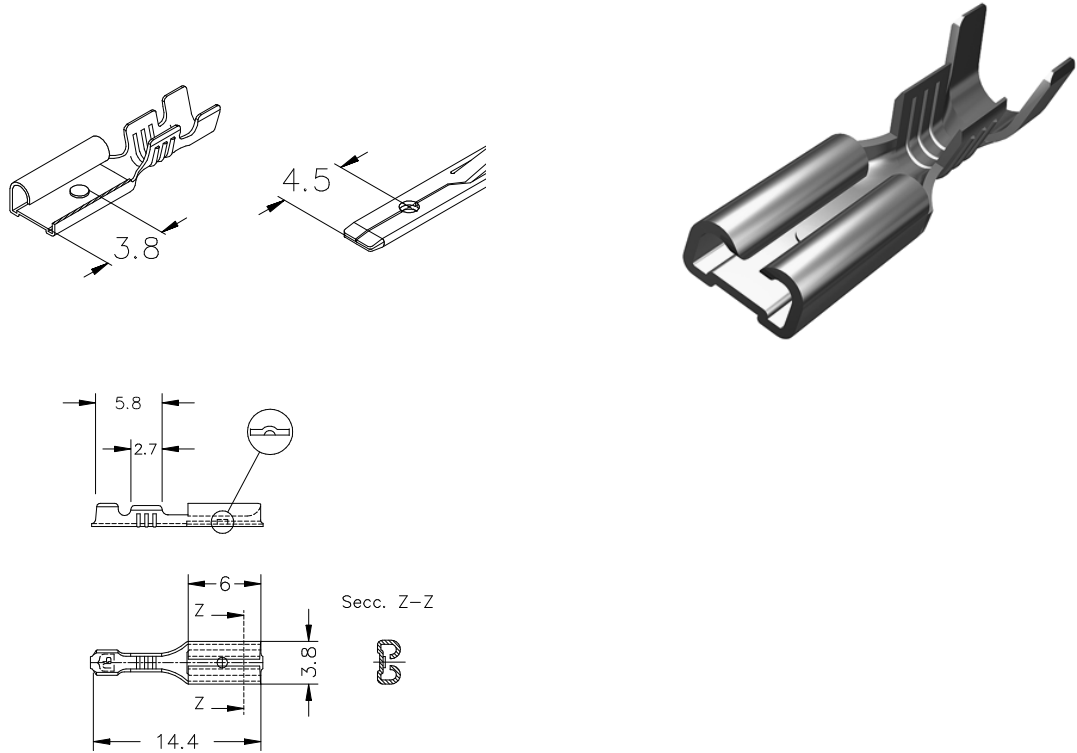
Approvals



4402D**
2.8 (.110) TYPE SERIES · RECEPTACLES



Drawing



Disclaimer

Data obtained from Escubedo Laboratory essays, using own methodology, cablings, equipment and original crimping tools, done in laboratory conditions and following the indicated standards, errors and omissions excepted. This document has no contractual meaning and it is publicised only for informative purposes. It can be changed without prior notice. The end customer has the sole responsibility to check these characteristics in its environment and with its own components, manufacturing methods and equipment. See also the full range product overview if available. For further information please visit our web site or contact us

Rev. Nr.	Concept	Date	Created/Revised	Approved
A1	Datasheet generated automatically [A1]	2022-09-19	E. Roura (Laboratory Dept.)	D. Yabar (Engineering Dept.)

Escubedo Connection Systems, S.A.U. · Ctra. de Girona-Olot Km. 35,5 · 17843 Riudellots de la Creu · Girona · Spain
Tel.: 34 972 171 706 · Fax: +34 972 171 714 · info@escubedo.com · www.escubedo.com