

4302.** 2.8 (.110) TYPE SERIES · RECEPTACLES FOR CONNECTOR



Specification Standard Terminals

For male (mm) 2,8x0,5

Din Esp

Wire size mm² (AWG) 0,1-0,3 (26-22)

Ø Insulation (mm) 1-1,8

Materials, temperature and contact resistance

Part nr.	Material	Finishing	Max. Temp. (°C)
4302.00	Brass	Natural	110
4302.02	Brass	Tin plated	120
4302.30	Bronze	Natural	120
4302.32	Bronze	Tin plated	130

Material thickness (mm) 0,25

Insertion / Withdrawal forces


	4302.00 / 30	4302.02 / 32
1st Insertion (max)	25N ¹	30N ¹
1st Withdrawal (max)	30N ¹	30N ¹
10th Withdrawal (min)	5N ¹	5N ¹

¹ Valid for Natural Brass Tab

Application tool MN4300

Wire strip length 3.5 (±0.5) mm

Crimping parameters & pull out force

Wire section (±10%)	Conductor 		Insulator	Pull-out force (N)
	Height (mm)	Width (mm)	Width (mm)	
0.10 mm ²	0.82 (±0.03)	1.53 (±0.03)	1.64 (±0.10)	≥ 20N
0.20 mm ²	0.85 (±0.03)	1.54 (±0.03)	1.64 (±0.10)	28N @ 60s
0.30 mm ²	0.90 (±0.03)	1.55 (±0.03)	1.67 (±0.10)	28N @ 60s
22 AWG	0.90	1.54	1.70	36N @ 60s
24 AWG	0.85	1.54	1.68	22,3N @ 60s
26 AWG	0.82	1.54	1.67	13,4N @ 60s

Values only valid for the application tool specified upwards. The insulator widths are only indicative as they are dependent on the sheath thickness of the wire used.

Winding number 15000

Compatible connectors 22843**, 22850**, 22852**, 22873**

Approvals

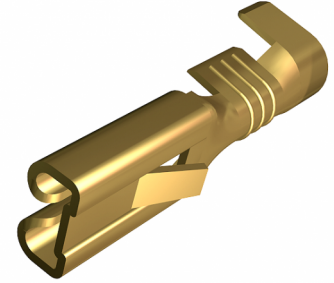
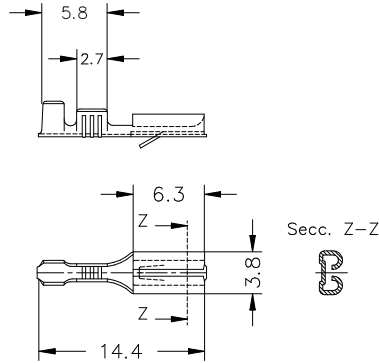


4302.**

2.8 (.110) TYPE SERIES · RECEPTACLES FOR CONNECTOR



Drawing



Disclaimer

Data obtained from Escubedo Laboratory essays, using own methodology, cabling, equipment and original crimping tools, done in laboratory conditions and following the indicated standards, errors and omissions excepted. This document has no contractual meaning and it is publicised only for informative purposes. It can be changed without prior notice. The end customer has the sole responsibility to check these characteristics in its environment and with its own components, manufacturing methods and equipment. See also the full range product overview if available. For further information please visit our web site or contact us

Rev. Nr.	Concept	Date	Created/Revised	Approved
A2	Change company name and logo	2021-10-21	E.Roura (laboratory dept.)	M.Codina (engineering dept.)
A1	Datasheet generated automatically [A1]	2021-05-11	E.Roura (laboratory dept.)	M.Codina (engineering dept.)

Escubedo Connection Systems, S.A.U. · Ctra. de Girona-Olot Km. 35,5 · 17843 Riudellots de la Creu · Girona · Spain
Tel.: 34 972 171 706 · Fax: +34 972 171 714 · info@escubedo.com · www.escubedo.com