



4124.**

RAST 5 TERMINALS AND CONNECTORS · RECEPTACLES FOR CONNECTOR



Specification RAST 5 CRIMP CONNECT

For male (mm) 6,3x0,8

Wire size mm² (AWG) 2,5-5 (14-10)

Ø Insulation (mm) 3,6-5

Materials, temperature and contact resistance

Part nr.	Material	Finishing	Max. Temp. (°C)
4124.00	Brass	Natural	110
4124.01	Brass	Pre-tin-plated	120
4124.02	Brass	Tin plated	120
4124.24	Steel	Nickel-plated	300
4124.30	Bronze	Natural	120
4124.31	Bronze	Pre-tin-plated	130
4124.32	Bronze	Tin plated	130
4124.70	German Silver	Natural	210

Material thickness (mm) 0,4

Max. rated current

Wire section	4124.00 / 01 / 02 / 24 / 30 / 31 / 32 / 70
2.50 mm ²	20A
3.00 mm ²	20A
4.00 mm ²	26A
5.00 mm ²	26A

Insertion / Withdrawal forces


	4124.00 / 01 / 02 / 24 / 30 / 31 / 32 / 70
1st Insertion (max)	30N ¹
1st Withdrawal (max)	50N ¹
10th Withdrawal (min)	10N ¹

¹ Valid for Natural Brass Tab

Application tool MN4834

Wire strip length 5.5 (±0.5) mm

Crimping parameters & pull out force

Wire section (±10%)	Conductor 		Insulator	Pull-out force (N)
	Height (mm)	Width (mm)		
2.50 mm ²	1.85 (±0.05)	4.05 (±0.05)	5.52 (±0.10)	230N @ 60s
3.00 mm ²	1.95 (±0.05)	4.05 (±0.05)	5.52 (±0.10)	≥ 250N
4.00 mm ²	2.15 (±0.05)	4.08 (±0.05)	5.53 (±0.10)	310N @ 60s
5.00 mm ²	2.35 (±0.05)	4.10 (±0.05)	5.55 (±0.10)	≥ 350N

Values only valid for the application tool specified upwards. The insulator widths are only indicative as they are dependent on the sheath thickness of the wire used.

Winding number 6000

Compatible connectors P8412**, P8413**, P8414**, P8415**



4124.**

RAST 5 TERMINALS AND CONNECTORS · RECEPTACLES FOR CONNECTOR



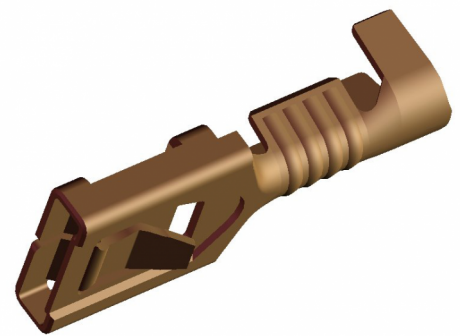
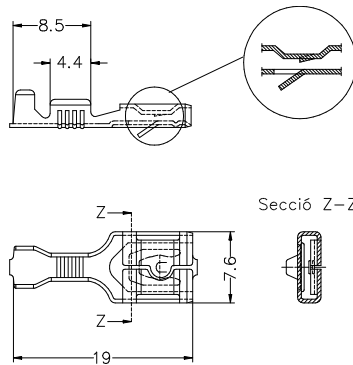
Approved regulations

Part nr.	Approval	Standard	File	Certified framework
4124.00	UL	UL 310	E211727	AWG 14-10 (41-105 Stranded Cu) / MN4124
4124.01	UL	UL 310	E211727	AWG 14-10 (41-105 Stranded Cu) / MN4124
4124.24	UL	UL 310	E211727	AWG 14-14 (41-41 Stranded Cu) / MN4124

Approvals



Drawing



Disclaimer

Data obtained from Escubedo Laboratory essays, using own methodology, cablings, equipment and original crimping tools, done in laboratory conditions and following the indicated standards, errors and omissions excepted. This document has no contractual meaning and it is publicised only for informative purposes. It can be changed without prior notice. The end customer has the sole responsibility to check these characteristics in its environment and with its own components, manufacturing methods and equipment. See also the full range product overview if available. For further information please visit our web site or contact us

Rev. Nr.	Concept	Date	Created/Revised	Approved
A1	Datasheet generated automatically [A1]	2019-06-04	Laboratory Dept.	E. Roura