

3873.** UP-MATE SERIES · MALES



Specification Males to connect to UP-MATE Receptacles

Wire size mm² (AWG) 0,8-2 (18-14)

Ø Insulation (mm) 2,3-3,6

Materials, temperature and contact resistance

Part nr.	Material	Finishing	Max. Temp. (°C)
3873.00	Brass	Natural	110
3873.01	Brass	Pre-tin-plated	120
3873.02	Brass	Tin plated	120

Material thickness (mm) 0,5

Insertion / Withdrawal forces


	3873.00 / 01 / 02
1st insertion (max - Counterpart tickness = 0.32mm)	12N ¹
1st withdrawal (min - Counterpart tickness = 0.32mm)	25N ¹
1st insertion (max - Counterpart tickness = 0.40mm)	18N ²
1st withdrawal (min - Counterpart tickness = 0.40mm)	35N ²

¹ Valid for 6900.**

² Valid for 6901.**, 6902.**, 6904.**, 6906.**, 6908.**

Application tool MN3873

Crimping parameters & pull out force

Wire section (±10%)	Conductor 		Insulator	Pull-out force (N)
	Height (mm)	Width (mm)		
0.80 mm ²	1.75 (±0.05)	2.69 (±0.05)	3.67 (±0.10)	-
1.00 mm ²	1.80 (±0.05)	2.70 (±0.05)	3.69 (±0.10)	108N @ 60s
1.50 mm ²	1.95 (±0.05)	2.72 (±0.05)	3.70 (±0.10)	150N @ 60s
2.00 mm ²	2.10 (±0.05)	2.74 (±0.05)	3.71 (±0.10)	150N @ 60s

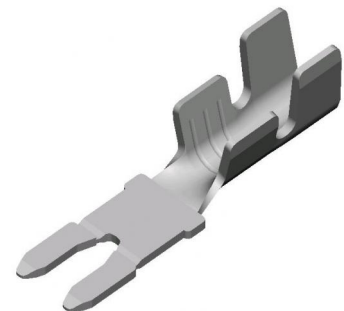
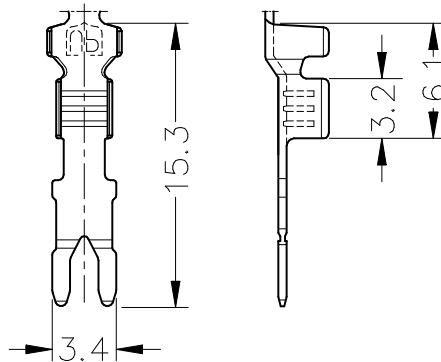
Values only valid for the application tool specified upwards. The insulator widths are only indicative as they are dependent on the sheath thickness of the wire used.

Winding number 7000

Approvals



Drawing



3873.**
UP-MATE SERIES · MALES**Disclaimer**

Data obtained from Escubedo Laboratory essays, using own methodology, cabling, equipment and original crimping tools, done in laboratory conditions and following the indicated standards, errors and omissions excepted. This document has no contractual meaning and it is publicised only for informative purposes. It can be changed without prior notice. The end customer has the sole responsibility to check these characteristics in its environment and with its own components, manufacturing methods and equipment. See also the full range product overview if available. For further information please visit our web site or contact us

Rev. Nr.	Concept	Date	Created/Revised	Approved
A2	Update data	2022-12-15	D. Yabar (Engineering Dept.)	E. Roura (Laboratory Dept.)
A1	Concepte: Datasheet generated automatically [A1]	2022-09-15	D. Yabar (Engineering Dept.)	E. Roura (Laboratory Dept.)

Escubedo Connection Systems, S.A.U. · Ctra. de Girona-Olot Km. 35,5 · 17843 Riudellots de la Creu · Girona · Spain
Tel.: 34 972 171 706 · Fax: +34 972 171 714 · info@escubedo.com · www.escubedo.com