



26331**
6.3 (.250) TYPE SERIES · FLAGS



Specification Flag receptacle housings

Ways 1

Thermal Characteristics

Part nr.	Raw material	Color	Flammability Class (UL 94)	Glow Wire Test (GWT) (IEC60695-2-11)	Glow Wire Flammability Index (IEC60695-2-12)	RTI electrical (Max. Operating Temp.)
2633110	PA66V2	Natural	V2	550°C	850°C	105°C
2633130	PA66V0	Natural	V0	650°C	960°C	140°C
2633140	PA66NF	Natural	V2	750°C	960°C	130°C
2633150	Stanyl	Natural	V2	550°C	-	150°C
2633160	PAV0NF	Natural	V0	750°C	960°C	120°C

For other materials and colors ask to: info@escubedo.com

Compatible terminals 5420.**, 5422.**

Insertion / Withdrawal forces

	2633110 / 30	2633140
1st Insertion (max)	10N	10N
1st Withdrawal (min, primary lock only)	20N	20N
1st Withdrawal (min, primary + secondary lock)	30N	40N

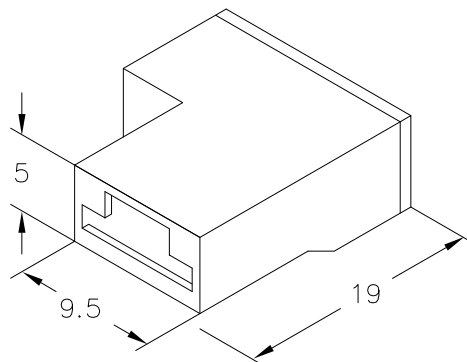
Approved regulations

Part nr.	Approval	Standard	File	Certified framework
2633110	UL	UL 310	E245592	V2 / RTI Elec., Max. Operating Temp, 65°C
2633130	UL	UL 310	E245592	V0 / RTI Elec., Max. Operating Temp, 140°C
2633140	UL	UL 310	E245592	V2 / RTI Elec., Max. Operating Temp, 130°C
2633160	UL	UL 310	E245592	V0 / RTI Elec., Max. Operating Temp, 120°C

Approvals



Drawing



Disclaimer

Data obtained from Escubedo Laboratory essays, using own methodology, cablings, equipment and original crimping tools, done in laboratory conditions and following the indicated standards, errors and omissions excepted. This document has no contractual meaning and it is publicised only for informative purposes. It can be changed without prior notice. The end customer has the sole responsibility to check these characteristics in its environment and with its own components, manufacturing methods and equipment. See also the full range product overview if available. For further information please visit our web site or contact us

Rev. Nr.	Concept	Date	Created/Revised	Approved
A2	Update UL File 2633160 - E245592	2019-01-28	Laboratory Dept.	E. Roura
A1	Datasheet generated automatically [A1]	2019-01-10	Laboratory Dept.	E. Roura