

242FP25** UP-FIT SERIES · 4.20 MM UP-FIT CONNECTIONS



Specification UP-FIT Male-Holder Panel Connectors

Ways 10 (2x5)

Thermal Characteristics

| Part nr. | Raw material | Color | Flammability Class (UL 94) | Glow Wire Test (GWT) (IEC60695-2-11) | Glow Wire Flammability Index (IEC60695-2-12) | RTI electrical (Max. Operating Temp.) |
|-----------|--------------|---------|----------------------------|--------------------------------------|--|---------------------------------------|
| 242FP2510 | PA66V2 | Natural | V2 | (T.B.D.) | 850°C | 105°C |
| 242FP2530 | PA66V0 | Natural | V0 | (T.B.D.) | 960°C | 140°C |
| 242FP2540 | NO FLAME | Natural | V2 | (T.B.D.) | 960°C | 130°C |
| 242FP2545 | NO FLAME | Black | V2 | (T.B.D.) | 960°C | 130°C |

For other materials and colors ask to: info@escubedo.com

Max. rated voltage 600V

Compatible terminals 7545**, 7546**, 7547**

Insertion / Withdrawal forces

| | 242FP2510 / 30 / 40 / 45 |
|--|--------------------------|
| Terminal into connector cavity. Insertion force (max) | 12N |
| Terminal from connector cavity - only primary lock. Withdrawal force (min) | 60N |

Counterpart 242M25**

Approved regulations

| Part nr. | Approval | Standard | File | Certified framework |
|------------------------|----------|----------|---------|--|
| 242FP2510 ¹ | UL | UL 1977 | E223221 | V2 / RTI Elec., Max. Operating Temp, 130°C |
| 242FP2530 ¹ | UL | UL 1977 | E223221 | V0 / RTI Elec., Max. Operating Temp, 140°C |
| 242FP2540 ¹ | UL | UL 1977 | E223221 | V2 / RTI Elec., Max. Operating Temp, 130°C |
| 242FP2545 ¹ | UL | UL 1977 | E223224 | V2 / RTI Elec., Max. Operating Temp, 130°C |

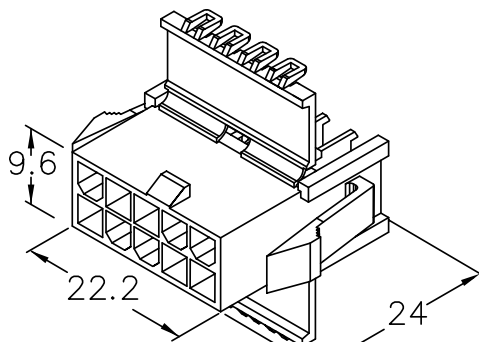
¹ Cat. No. meets with the standard UL1977 as a component of UP-FIT full connection system.

Rated current and voltage:
 10 poles - AWG 28 - 1A/600V (USR, CND)
 10 poles - AWG 26 - 1A/600V (USR, CND)
 10 poles - AWG 24 - 2A/600V (USR, CND)
 10 poles - AWG 22 - 3A/600V (USR, CND)
 10 poles - AWG 20 - 4A/600V (USR, CND)
 10 poles - AWG 18 - 5A/600V (USR, CND)
 10 poles - AWG 16 - 6A/600V (USR, CND)

Approvals



Drawing



242FP25**
UP-FIT SERIES · 4.20 MM UP-FIT CONNECTIONS

(T.B.D.): To be determined

Disclaimer

Data obtained from Escubedo Laboratory essays, using own methodology, cablings, equipment and original crimping tools, done in laboratory conditions and following the indicated standards, errors and omissions excepted. This document has no contractual meaning and it is publicised only for informative purposes. It can be changed without prior notice. The end customer has the sole responsibility to check these characteristics in its environment and with its own components, manufacturing methods and equipment. See also the full range product overview if available. For further information please visit our web site or contact us

| Rev. Nr. | Concept | Date | Created/Revised | Approved |
|----------|--|------------|-----------------------------|------------------------------|
| A4 | Update insertion / withdrawal forces | 2024-03-21 | E. Roura (Laboratory Dept.) | O. Roura (Engineering Dept.) |
| A3 | Change company name and logo | 2021-10-21 | Laboratory Dept. | E. Roura |
| A2 | Update UL Regulation | 2018-08-10 | Laboratory Dept. | E. Roura |
| A1 | Datasheet generated automatically [A1] | 2018-08-03 | Laboratory Dept. | E. Roura |