



19924.**
PLANE TABS · MALES



Specification 6.3 mm Male

Typology 45° 6.3mm Male. 9.2 mm plate

Ø (mm) 3,2

Din Esp

Materials, temperature and contact resistance

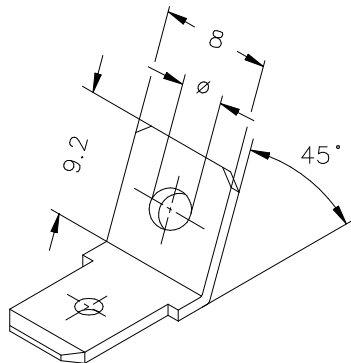
| Part nr. | Material | Finishing | Max. Temp. (°C) |
|----------|----------|------------|-----------------|
| 19924.00 | Brass | Natural | 110 |
| 19924.02 | Brass | Tin plated | 120 |

Material thickness (mm) 0,8

Approvals



Drawing



Disclaimer

Data obtained from Escubedo Laboratory essays, using own methodology, cablings, equipment and original crimping tools, done in laboratory conditions and following the indicated standards, errors and omissions excepted. This document has no contractual meaning and it is publicised only for informative purposes. It can be changed without prior notice. The end customer has the sole responsibility to check these characteristics in its environment and with its own components, manufacturing methods and equipment. See also the full range product overview if available. For further information please visit our web site or contact us

| Rev. Nr. | Concept | Date | Created/Revised | Approved |
|----------|-----------------------------------|------------|------------------|----------|
| A1 | Datasheet generated automatically | 2018-09-19 | Laboratory Dept. | E. Roura |