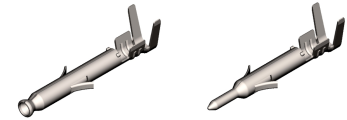




7544.01 / 8544.01

Mini UP-LOK Terminals

Description Mini UP-LOK Terminals, Male (7544) & Female (8544)
Wire section range 0.30 ÷ 0.90 mm² (22 ÷ 18 AWG)
Max. Insulator Ø 2.8 mm.
Material Pre-Tinned Brass, 0.2 mm thickness



Max. Rated current

Wire section	Current
0.30 mm ²	-
0.50 mm ²	8 A
0.75 mm ²	10 A
0.90 mm ²	10 A

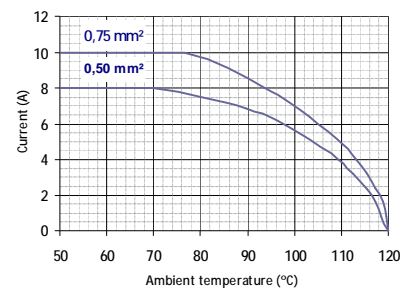
Note: Depending on the nr. of ways of the housing used.

Housing part Nr. For male terminals: 2203***
For female terminals: 2202***/2202***E

Max. Contact resistance 2.38 mΩ
Note: Friction area in male-female junction, taking as guide DIN 61210.

Max. Temperature 120°C
Note: As per DIN 61210 standard.

Thermal derating (see graph ã)



Thermal derating curves
Note: 20% security margin is applied.

Insertion/Withdrawal forces

1st. Insertion	≤ 8 N
1st. Withdrawal	≥ 2 N

Application tool MN7544-8544

Wire stripping length 3.0 (±0.5) mm

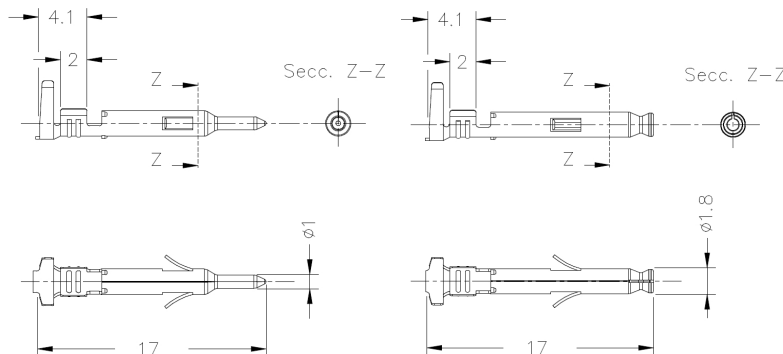
Crimping parameters & Pull out force

Wire section (mm ²)		Conductor (±0,03)		Insulator (±0,05)	Pull-out force	
Nominal	Actual	Height (mm.)	Width (mm.)	Width (mm.)	DIN46249	ESCUBEDO
0.30	0.31	0.90	1.54	2.68	-	> 60 N
0.50	0.45	1.00	1.55	2.73	≥ 60 N	> 70 N
0.75	0.68	1.10	1.56	2.78	≥ 70 N	> 80 N
0.90	0.91	1.20	1.57	2.78	≥ 80 N	> 90 N

Note: Values only valid for the application tool specified upwards. The insulator widths are only indicative as they are dependant on the sheath thickness of the wire used.

Packaging 80000 Pieces on 25mm. cardboard reel, 11 mm terminal chain pitch

Drawing



Approvals

- RoHS Compliant



Document History

Rev. Nr.	Modification	Date	Created/Revised	Approved
1	Creation/update	07/09/2012	D.Martinez	A.Calvet

Disclaimer

Data obtained from Escubedo Laboratory essays, using own methodology, cablings and equipment, done in laboratory conditions and following the indicated standards, errors and omissions excepted. This document has no contractual meaning and it is publicised only for informative purposes. It can be changed without prior notice. The end customer has the sole responsibility to check these characteristics in its environment and with its own components, manufacturing methods and equipment. See also the full range product overview if available. For further information please visit our web site or contact us.