

RS5412**-K

6.3 (.250) TYPE SERIES · RECEPTACLES

SELF-LOCKING RECEPTACLES. LOW INSERTION TERMINALS.



Specification RAST 5 Crimp Connect Connectors Self-locking

Ways 2

Thermal Characteristics

| Part nr. | Raw material | Color | Flammability Class (UL 94) | Glow Wire Test (GWT) (IEC60695-2-11) | Glow Wire Flammability Index (IEC60695-2-12) | RTI electrical (Max. Operating Temp.) |
|------------|--------------|---------|----------------------------|--------------------------------------|--|---------------------------------------|
| RS541210-K | PA66V2 | Natural | V2 | (T.B.D.) | 850°C | 105°C |
| RS541230-K | PA66V0 | Natural | V0 | (T.B.D.) | 960°C | 140°C |
| RS541240-K | NO FLAME | Natural | V2 | (T.B.D.) | 960°C | 130°C |

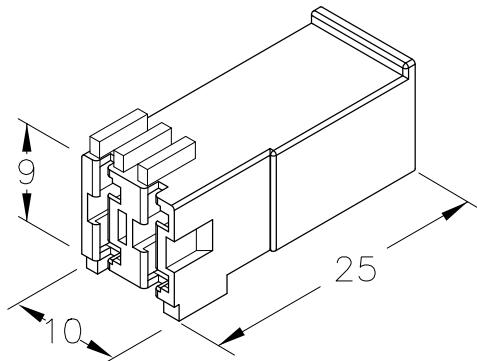
For other materials and colors ask to: info@escubedo.com

Compatible terminals 4935.**, 4935S**, 4937.**, 4937S**, 4939.**, 4939S**, 4941.**, 4941S**, 4943.**, 4943S**

Insertion / Withdrawal forces

| | RS541210-K / 30 / 40 |
|--|----------------------|
| 1st Insertion (max, connector-receptacle) | 25N |
| 1st Withdrawal (min, connector-receptacle) | 60N |

Drawing



(T.B.D.): To be determined

Disclaimer

Data obtained from Escubedo Laboratory essays, using own methodology, cablings, equipment and original crimping tools, done in laboratory conditions and following the indicated standards, errors and omissions excepted. This document has no contractual meaning and it is publised only for informative purposes. It can be changed without prior notice. The end customer has the sole responsibility to check these characteristics in its environment and with its own components, manufacturing methods and equipment. See also the full range product overview if available. For further information please visit our web site or contact us

| Rev. Nr. | Concept | Date | Created/Revised | Approved |
|----------|--|------------|------------------|------------------|
| A2 | Change company name and logo | 2021-10-21 | Laboratory Dept. | Laboratory Dept. |
| A1 | Datasheet generated automatically [A1] | 2019-02-18 | Laboratory Dept. | Laboratory Dept. |

Escubedo Connection Systems, S.A.U. · Ctra. de Girona-Olot Km. 35,5 · 17843 Riudellots de la Creu · Girona · Spain
 Tel.: 34 972 171 706 · Fax: +34 972 171 714 · info@escubedo.com · www.escubedo.com