

24817**

4.8 (.187) TYPE SERIES · RECEPTACLES

SELF-LOCKING RECEPTACLES. LOW INSERTION TERMINALS.



Specification Receptacle housings

Ways 1

Thermal Characteristics

Part nr.	Raw material	Color	Flammability Class (UL 94)	Glow Wire Test (GWT) (IEC60695-2-11)	Glow Wire Flammability Index (IEC60695-2-12)	RTI electrical (Max. Operating Temp.)
2481710	PA66V2	Natural	V2	(T.B.D.)	850°C	105°C
2481730	PA66V0	Natural	V0	(T.B.D.)	960°C	125°C
2481740	NO FLAME	Natural	V2	750°C	850°C	130°C
2481745	NO FLAME	Black	V2	750°C	930°C	130°C
2481750	Stanyl	Natural	V2	(T.B.D.)	(T.B.D.)	150°C
2481760	PAV0NF	Natural	V0	(T.B.D.)	960°C	120°C
2481765	PAV0NF	Black	V0	(T.B.D.)	960°C	120°C

For other materials and colors ask to: info@escubedo.com

Max. rated voltage 600V

Compatible terminals 4768.**, 4770.**, 4771.**, 4772.**, 4773.**, 4774.**, 4775.**, 4776.**

Insertion / Withdrawal forces

	2481710 / 30 / 40 / 45 / 50 / 60 / 65
1st Insertion (max, connector-receptacle)	15N ¹
1st Withdrawal (min, connector-receptacle)	60N ¹

¹ Valid for UP-TP SEK3 Straight Receptacles

Approved regulations

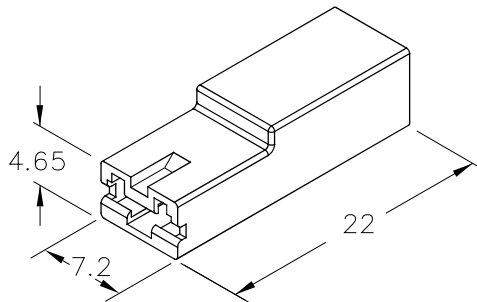
Part nr.	Approval	Standard	File	Certified framework
2481710 ¹	UL	UL 310	E211727	V0 / RTI Elec., Max. Operating Temp, 105°C
2481730 ¹	UL	UL 310	E211727	V0 / RTI Elec., Max. Operating Temp, 125°C
2481740 ¹	UL	UL 310	E211727	V2 / RTI Elec., Max. Operating Temp, 130°C
2481745 ¹	UL	UL 310	E211727	V2 / RTI Elec., Max. Operating Temp, 130°C

¹ Max. Rated Voltage 600V

Approvals



Drawing



24817****4.8 (.187) TYPE SERIES · RECEPTACLES****SELF-LOCKING RECEPTACLES. LOW INSERTION TERMINALS.**

(T.B.D.): To be determined

Disclaimer

Data obtained from Escubedo Laboratory essays, using own methodology, cablings, equipment and original crimping tools, done in laboratory conditions and following the indicated standards, errors and omissions excepted. This document has no contractual meaning and it is publicised only for informative purposes. It can be changed without prior notice. The end customer has the sole responsibility to check these characteristics in its environment and with its own components, manufacturing methods and equipment. See also the full range product overview if available. For further information please visit our web site or contact us

Rev. Nr.	Concept	Date	Created/Revised	Approved
A4	Add new raw material '65'	2023-03-29	E. Roura (Laboratory Dept.)	O. Roura (Engineering Dept.)
A3	Add new raw material '60'	2022-05-30	E. Roura (Laboratory Dept.)	O. Roura (Engineering Dept.)
A2	Change company name and logo	2021-10-21	Lab. Department	V.Roura
A1	Datasheet generated automatically [A1]	2018-07-03	Lab. Department	V.Roura